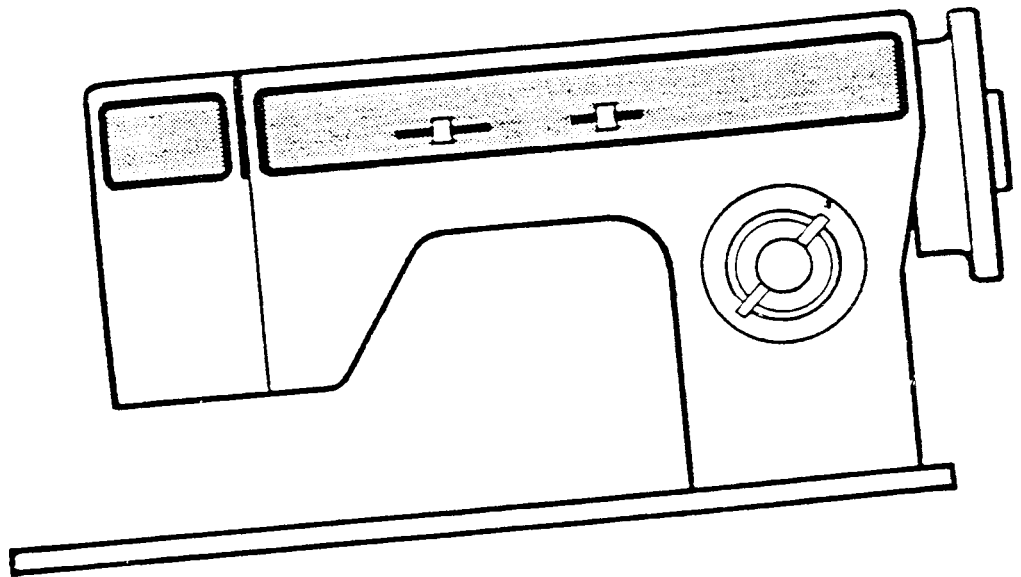


SINGER
1247N/1263N/1280N/1288N

LIST OF PARTS

Models 1247N, 1263N, 1280N, 1288N
HOUSEHOLD SEWING MACHINES



From the library of: Diamond Needle Corp

By **SINGER**

S.A.

PUBLICATION OF PRODUCT SUPPORT AND SERVICES

PART NO.

TABLE OF TERRITORIES

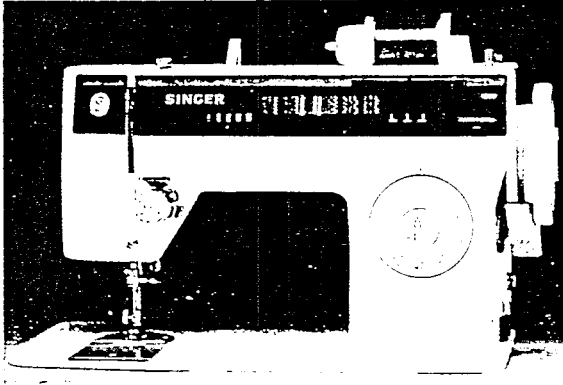
- A - (105/115 V. - 220/240 V.)		- B - (220 V.)	- H - (120 V. + 220 V.)	- J - (127/220 V.)
Aden	Malagasy Rep.	South Africa	Argentina	Belgium Bi-Volt.
Algeria	Malawi		Bahamas	W. Germany Bi-Volt.
Angola	Malaysia		Barbados	- K - (240 V.)
Bahrain	Mali	- C - (220 or 240 V.)	Bermuda	Australia
Bangladesh	Mauritania	New Zealand	Bolivia	- L - (220 V.)
Benin (Dahomey)	Mauritius		Brazil	Norway
Burma	Morocco	- D - (240 V.)	British Honduras	- M - (105 V.)
Burundi	Mozambique		Canal Zone	Japan
Cambodia	Niger Repub.		Chile	- N - (127/220 V.)
Cameroon	Nigeria	Great Britain	Colombia	France Bi-Volt.
Cent. Africa Empire	North Yemen	(England, Scotland,	Costa Rica	Non mandatory
Chad	Pakistan	Wales).	Ecuador	countries Bi-Volt.
Congo (Brazzaville)	Rhodesia	Malta	El Salvador	- O -
Egyptian Arab	Saudi Arabia		French West Indies	Canada (I)
Republic	Senegal	- E - (220 V.)	Guatemala	
Ethiopia	Sierra Leone		Honduras Republic	- P - (220 V.)
Fiji Islands	Singapore	Netherlands	Jamaica	Albania
Gabon	South Korea		Mexico	France
Gambia	South Yemen	- F - (220 V.)	Neth. Antilles	Gibraltar
Ghana	Sri Lanka	Austria	Nicaragua	Iceland
Guam	Sudan	Belgium	Panama	Israel
Guinea	Syria	Denmark	Paraguay	Jugoslavia
Guyana	Taiwan	Finland	Peru	Luxembourg
High Volta	Tangiers	Greece	Philippines	Monaco
Hong Kong	Tanzania	Italy	Puerto Rico	Portugal
India	Thailand	Switzerland	Surinam	Spain
Indonesia	Togo	W. Germany (+ 120 V.)	Trinidad & Tobago	Turkey
Iran	Tunisia		Venezuela	- Q - (240 V.)
Iraq	Uganda	- G - (120 V.)	Virgin Islands	Cyprus
Ivory Coast	Upper Volta	(I)	West Indies	- R - (220 V.)
Jordan	Vietnam	United States	(Antigua, Dominica,	Sweden
Kenya	Zaire (Kinshasa)		Grenada, Montserrat,	- S - (220 V.)
Kuwait	Zambia		St. Christopher, Nevis,	Eire
Laos			Anguilla, St. Lucia,	
La Reunion			St. Vincent, St. Kitts).	
Lebanon				
Liberia				
Libya				

From the library of: Diamond Needle Corp

Copyright © 1982 THE SINGER COMPANY
All Rights Reserved Throughout the World

*A Trademark of THE SINGER COMPANY

MORE BENEFITS FROM THE FASHION MATE DELUXE MACHINE— MODEL 1280



- **QUIET FULL ROTARY MOVEMENT—**
Reduces wear on the machine parts and makes sewing more pleasant.
- **STRAIGHT STRETCH STITCH—**
Lets you sew knit and stretch seams without popping seams.
- **ONE-WAY NEEDLE INSERTION—**
Eliminates any possibility of inserting the needle backwards.
- **3 NEEDLE POSITIONS—**
Left, center, and right. Allows you to change stitching positions at the touch of a lever to sew along edges.
- **5MM-WIDE ZIGZAG STITCH (3/16")—**
Gives you wide bight for zigzag and decorative stitches.
- **SNAP-ON PRESSER FEET—**
Snap on and off to save time when switching from one to the other.
- **QUICK-RELEASE NEEDLE PLATE—**
Simply lift and remove. Makes it easy to change plates for special types of sewing.
- **NEEDLE-PLATE GUIDELINES—**
Give you eye-saving guides for making perfect, straight seams.
- **STITCH LENGTH CONTROL DIAL—**
Makes it easy to change the setting for stitch length.
- **AUTOMATIC BOBBIN-WINDER STOP—**
Makes it impossible to overfill the bobbin.
- **TWIN-NEEDLE STITCHING—**
Lets you sew two parallel lines of straight or decorative stitching. Especially useful for decorative topstitching.

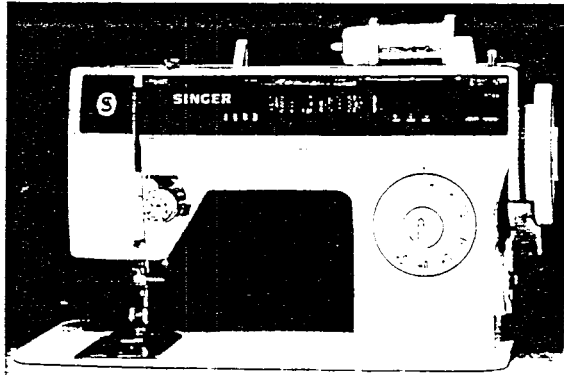
From the library of: Diamond Needle Corp

SINGER

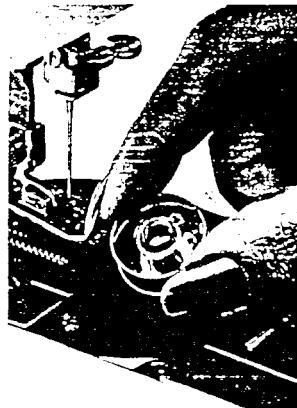
Printed in U.S.A.

Part No. 61-505255-200

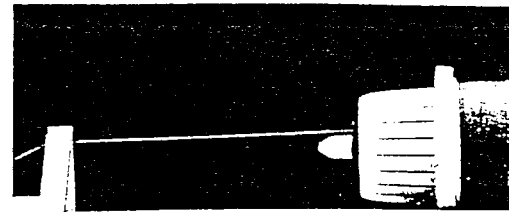
THE FASHION MATE DELUXE MACHINE MODEL 1280 BY SINGER



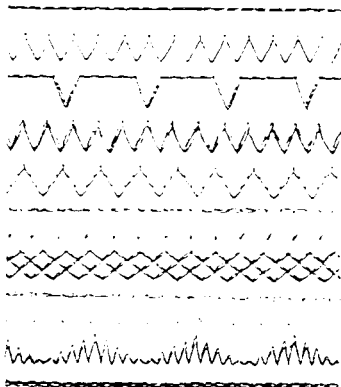
Never before has Singer offered you so many stitches in a machine like the Fashion Mate* machine model 1280—at such a reasonable price. For example...



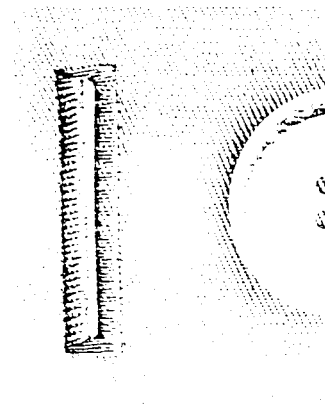
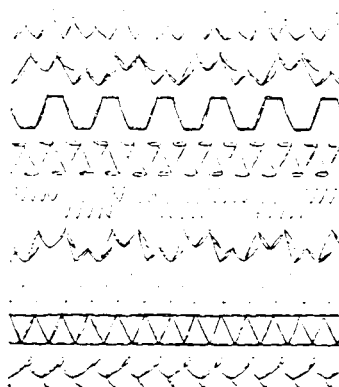
The bobbin removes without fuss.



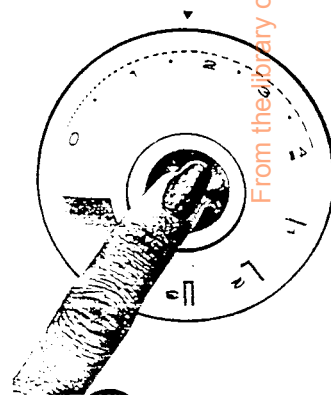
Horizontal thread delivery improves quality of stitching.



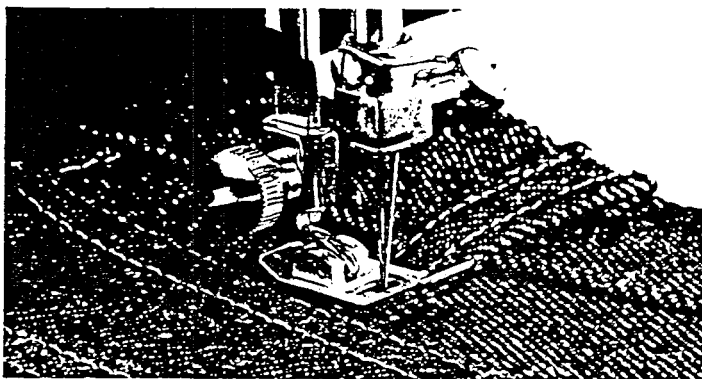
19 stitches—everything from construction to functional stretch to decorative.



Built-in buttonholer makes perfect buttonholes.



Push-button reverse control lets you set machine in reverse quickly and easily.



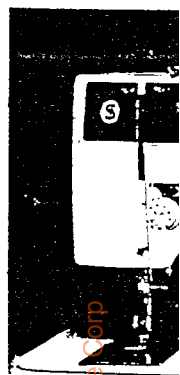
Machine adjusts automatically to various fabric thicknesses.

SINGER

All on this new Singer sewing machine. See your Singer dealer—today.
*A Trademark of The Singer Company.
© 1984 The Singer Company.

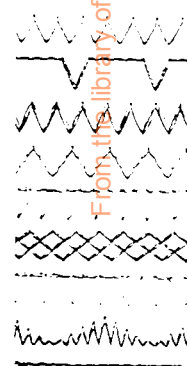
From the library of: Diamond Needle Corp.

THE MA BY S



Never before has
in a machine like
1280—as s'

From the library of Diamond Feeders Corp



19 stitches—ever
stretch to decora

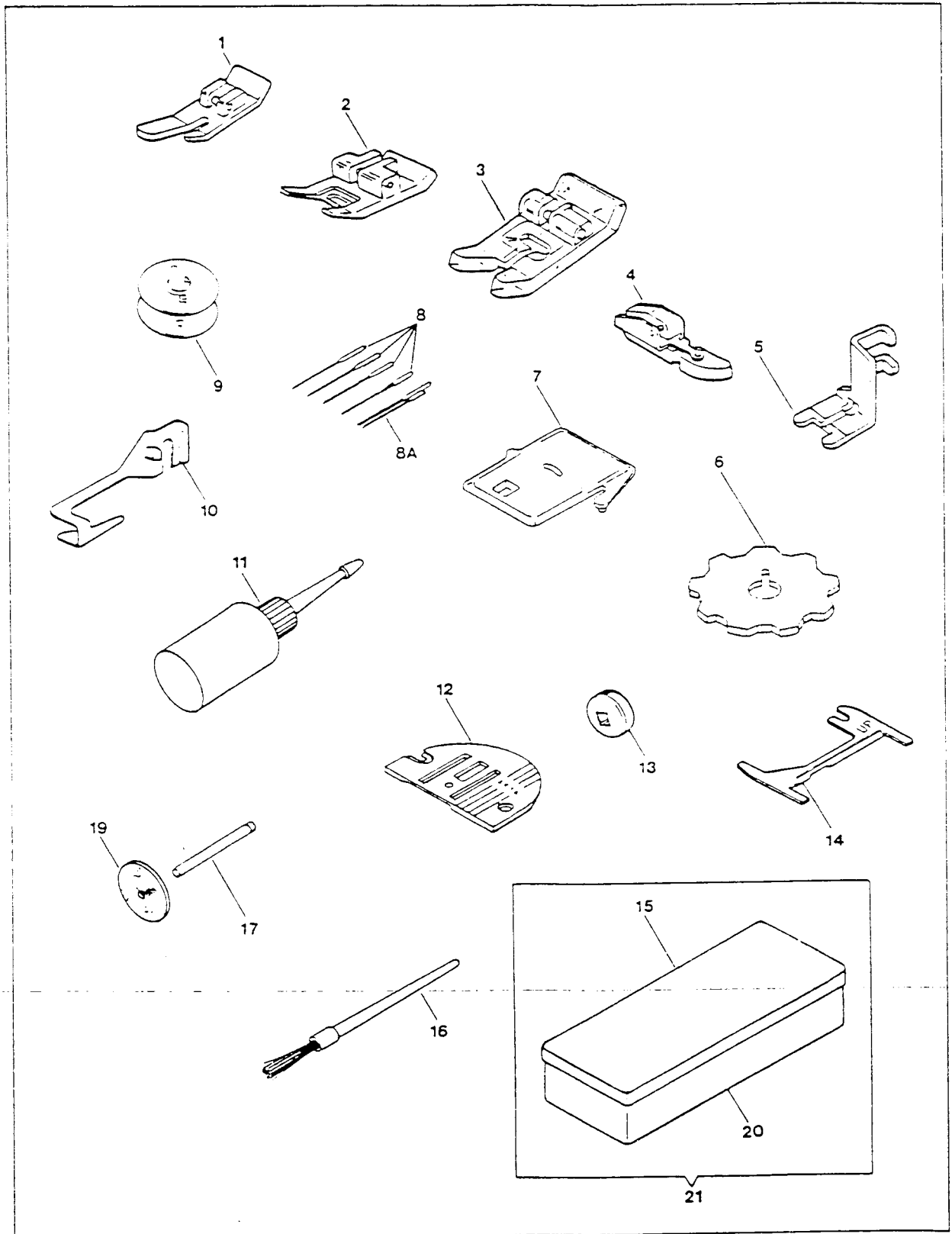


Machine adjusts

INDEX

PAGE	DESCRIPTION
1,2	ATTACHMENT SET
3-8	COVERS AND ADD ONS
9,10	BED COVER/OPTIONS & MISCELLANEOUS
11,12	ROTATING HOOK, THROAT AND BED SLIDES
13,14	THREAD TENSION
15,16	ARMSHAFT DRIVE & HANDWHEEL
17,18	NEEDLE BAR
19,20	THREAD TAKE UP & PRESSURE BAR
21,22	FEED SYSTEM
23,24	NEEDLE POSITION
25,26	STITCH WIDTH (BIGHT)
27,28	PATTERN SELECTOR & INDICATOR
29,30	FEED REGULATOR & BUTTONHOLER
31,32	CAM STACK
33,34	CAM CONTROLLED FEED
35,36	ELECTRICS

ATTACHMENT SET



ATTACHMENT SET

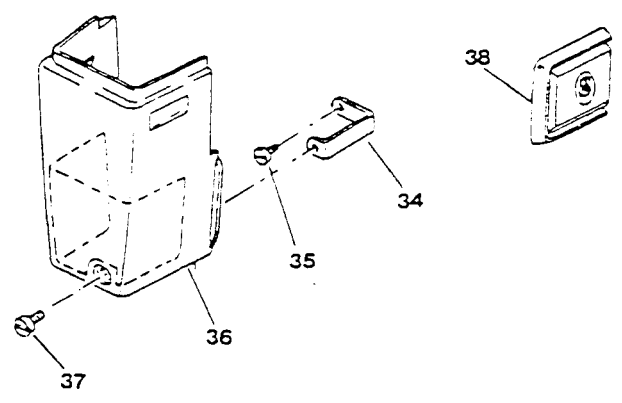
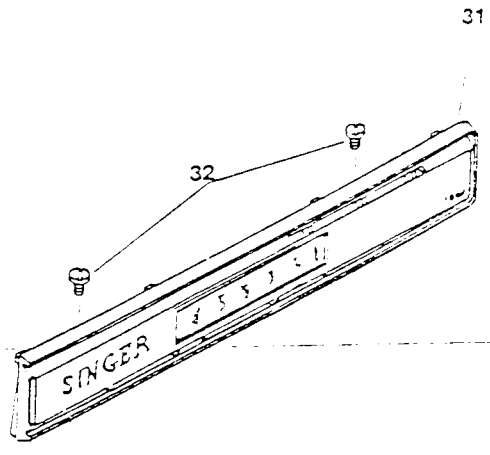
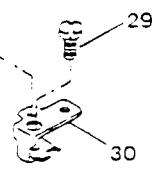
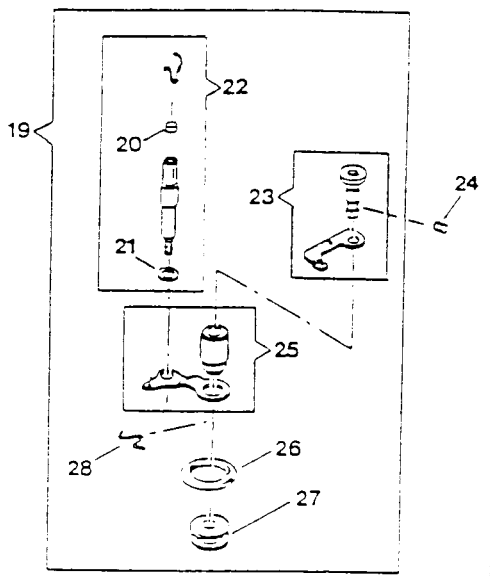
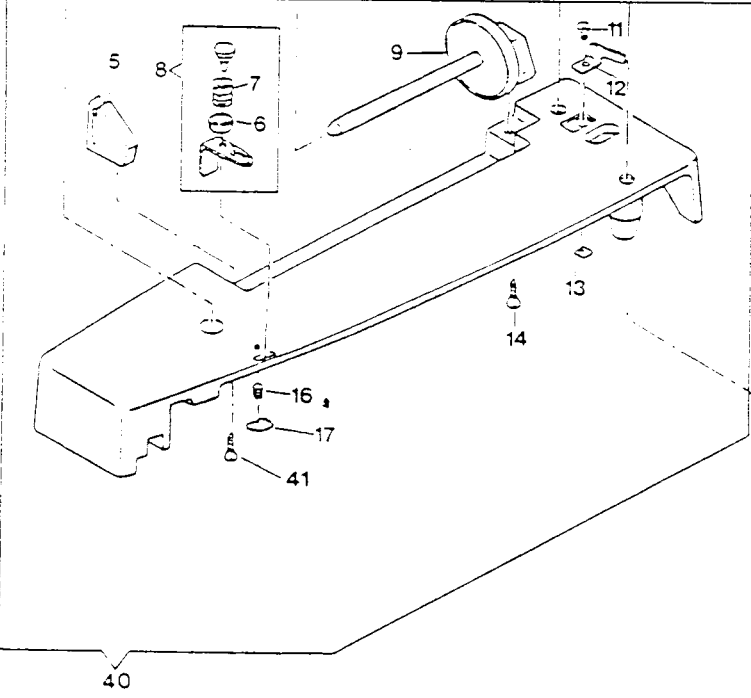
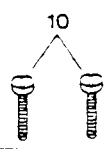
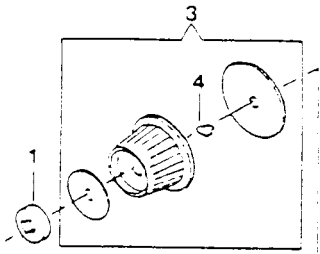
PART NO.	DESCRIPTION								
1	171315	PRESSER FOOT PLATE (SNAP-ON) FOR STRAIGHT SEWING							
	153267	PRESSER FOOT PLATE (SNAP-ON) (PLATED) FOR STRAIGHT SEWING (ALTERNATE TO NO. 171315)							
2	171498	SPECIAL PURPOSE PRESSER FOOT PLATE (SNAP-ON, PLASTIC)							
3	161927	PRESSER FOOT PLATE (SNAP-ON) FOR BUTTONHOLES							
4	507836	PRESSER FOOT PLATE (SNAP-ON) COMPL. FOR CORDING & SLIDE FASTENERS							
5	161613	PRESSER FOOT FOR BUTTON SEWING							
6	171340	DISC NO. 350, BLIND STITCH							
	171341	DISC NO. 351, CRESCENT STITCH (OPEN SCALLOP)							
	171342	DISC NO. 352, SOLID SCALLOP STITCH							
	276302-001	DISC NO. 2, MULTIPLE ZIG-ZAG STITCH							
	276305	DISC NO. 5, ARROWHEAD STITCH							
	276306	DISC NO. 6, DOMINO STITCH							
	276312	DISC NO. 12, WALLS OF TROY STITCH							
	276313	DISC NO. 13, SOLID DIAMOND STITCH							
	276327	DISC NO. 27, FAGOTING STITCH							
	276337	DISC NO. 37, ALPINE STITCH							
7	381495	FEED COVER PLATE (PLASTIC)							
8	381480	NEEDLE PACK N2045 (1) N2020 (3)							
8A	384108	NEEDLE PACK N2025 (1)							
9	172336	BOBBIN (PLASTIC)							
10	381213	BLIND STITCH GUIDE (NON-ADJUSTABLE)							
11	402671	OIL TUBE (FOR TAIWAN)							
	444884	CONTAINER OF OIL COMPL. (FOR CAMPINAS)							
	444884-001	CONTAINER OF OIL COMPL. (ENGLISH LANGUAGE) (ALT. TO NO. 444884, FOR EXPORT)							
	447463	CONTAINER OF OIL WITH 15CC OF OIL, COMPL. (SPANISH LANGUAGE) (FOR QUERETARO)							
	446143	THROAT PLATE FOR STRAIGHT SEWING							
	446143-001	THROAT PLATE FOR STRAIGHT SEWING (ALTERNATE TO NO. 446143, FOR QUERETARO)							
	446143-002	THROAT PLATE FOR STRAIGHT SEWING (ALTERNATE TO NO. 446143, FOR TAIWAN)							
13	507664-457	ARM TOP COVER SPOOL PIN THREAD LEAD-OFF (SMALL, PLASTIC)							
14	161894	THROAT PLATE RAISING PLATE (FOR QUERETARO)							
15	381287-452	ATTACHMENT BOX COVER (PLASTIC) (FOR CAMPINAS)							
	447131-003	ATTACHMENT BOX COVER (FOR QUERETARO)							
16	546358	LINT BRUSH							
17	173571	SPOOL PIN (PLASTIC) FOR TWIN NEEDLE SEWING							
	444813-454	SPOOL PIN (PLASTIC) FOR TWIN NEEDLE SEWING							
19	505008	SPOOL PIN WASHER (FELT) (FOR TAIWAN)							
	8879-750	SPOOL PIN WASHER (FELT) (FOR CAMPINAS & QUERETARO)							
20	381286-452	ATTACHMENT BOX BASE (PLASTIC) (FOR CAMPINAS)							
	381018-003	ATTACHMENT BOX BASE (PLASTIC) (FOR CAMPINAS)							
	447132-451	ATTACHMENT BOX BODY (FOR QUERETARO)							
21	381285-452	ATTACHMENT BOX COMPLETE (FOR CAMPINAS)							
	381310-453	ATTACHMENT BOX COMPLETE (FOR TAIWAN)							
	402673-453	ATTACHMENT BOX COMPLETE (FOR TAIWAN)							
	381404-451	ATTACHMENT BOX COMPLETE (FOR CAMPINAS)							
	402673-453	ATTACHMENT BOX COMPLETE (FOR TAIWAN)							
	446071-451	ATTACHMENT BOX COMPLETE (FOR QUERETARO)							
22	446083	ATTACHMENT SET COMPLETE - R+R <i>Piezas must be ordered separately</i>							
	446125	ATTACHMENT SET COMPLETE							
	381500*	ATTACH. SET COMPL. PACKED IN ATTCH. BOX NO. 381404-451, FOR CAMPINAS OR NO. 402673-453, FOR TAIWAN							
		TAIWAN							
	384065*	ATTACHMENT SET COMPLETE							

356942 - Plastic Spool Pin

COVERS AND ADD ONS

REF .	PART NO.	DESCRIPTION								
1	540165-456	ARM TOP COVER LID SPOOL PIN THREAD								IX
2	540164	ARM TOP COVER LID SPOOL PIN THREAD LEAD-OFF SPRING CLIP								IX
3	446108-451	ARM TOP COVER LID								IX
5	446110-451	ARM TOP COVER LID THREAD GUIDE (PLASTIC)								IX
6	446000	ARM TOP COVER LID HINGE PIN (LEFT)								IX
7	445157	ARM TOP COVER LID HINGE RETAINING SPRING (RIGHT) SCREW WASHER								IX
8	354592-453	ARM TOP COVER LID HINGE SCREW								IX
9	445572	ARM TOP COVER LID HINGE								IX
10	445573	ARM TOP COVER LID HINGE PIN (RIGHT)								IX
11	141803-830	BOBBIN WINDER HINGE STUD SET SCREW								IX
12	445785	BOBBIN WINDER HINGE STUD								IX
13	445217	BOBBIN WINDER SPINDLE								IX
	446257	BOBBIN WINDER SPINDLE								IX
14	445871	BOBBIN WINDER FRAME								IX
15	15287-701	BOBBIN WINDER FRICTION RING								IX
16	44440	BOBBIN WINDER PULLEY (PLASTIC)								IX
	173770-001	BOBBIN WINDER PULLEY (PLASTIC) (ALTERNATE TO NO. 44440, FOR TAIWAN)								IX
17	446258	BOBBIN WINDER COMPLETE								IX
18	445613	BOBBIN WINDER SPRING								IX
19	354895-452	ARM TOP COVER SCREW (CENTER & RIGHT)								IX
20	141920-453	BOBBIN WINDER STOP SCREW								IX
	44648	BOBBIN WINDER STOP (FOR 1288)								IX
	354710-451	CONTROL PANEL SCREW STUD (RIGHT)								IX
	53640-819	BOBBIN WINDER STOP SCREW NUT								IX
	446113-451	CONTROL PANEL Y								IX
25	354552-451	CONTROL PANEL SCREW (LEFT) & DISC FOLLOWER SPRING SCREW								IX
26	445765	CONTROL PANEL SCREW (LEFT) WASHER & DISC FOLLOWER SPRING SCREW WASHER								IX
27	446115-451	IMEDALLION FRAME								IX
28	446002	IFACE PLATE MOUNTING BRACKET								IX
29	354826-451	IFACE PLATE MOUNTING BRACKET SCREW								IX
30	445917-451	IFACE PLATE								IX
31	354133-452	IFACE PLATE SCREW								IX
32	446252	ARM TOP COVER LID HINGE RETAINING SPRING (RIGHT)								IX
33	354592-451	ARM TOP COVER LID HINGE RETAINING SPRING (RIGHT) SCREW								IX
34	446251	ARM TOP COVER LID HINGE RETAINING SPRING (LEFT)								IX
35	141936-833	BOBBIN WINDER TENSION BRACKET ADJUSTING SCREW								IX
36	44794	BOBBIN WINDER TENSION BRACKET ADJUSTING SCREW RETAINING CLIP								IX
37	446104-451	ARM TOP COVER								IX
38	446105-451	ARM TOP COVER WITH ARM TOP COVER LID COMPLETE								IX
39	45915	BOBBIN WINDER TENSION DISC								IX
40	45847	BOBBIN WINDER TENSION DISC SPRING								IX
41	44368	BOBBIN WINDER TENSION COMPLETE								IX
42	354901-451	ARM TOP COVER SCREW (LEFT)								IX
43	446109-451	ARM TOP COVER LID COMPLETE								IX
										IX
										IX
										IX
										IX
										IX
										IX
										IX
										IX
										IX

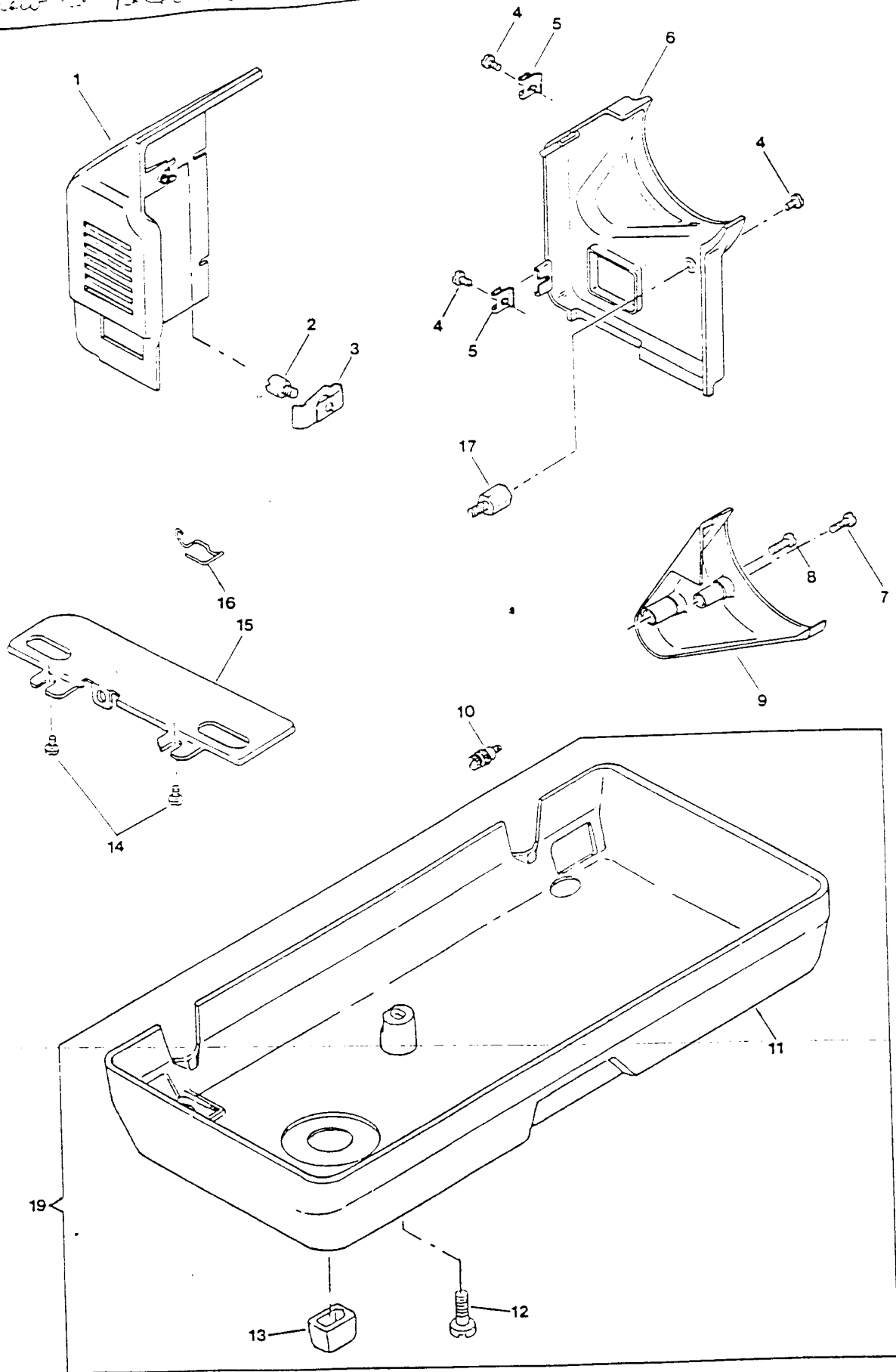
COVERS AND ADD ONS



From the library of: Diamond Needle Corp

BED COVER/OPTIONS & MISCELLANEOUS

Let screw to fold 1263 to cabinet 141925-633



From the library of: Diamond Needle Corp

BED COVER/OPTIONS & MISCELLANEOUS

11111111

12121212

14161818

17131018

11111111

11111111

11111111

11111111

11111111

11111111

11111111

11111111

11111111

11111111

11111111

11111111

11111111

11111111

11111111

11111111

11111111

11111111

11111111

11111111

11111111

11111111

11111111

11111111

11111111

11111111

11111111

11111111

11111111

11111111

11111111

11111111

11111111

11111111

11111111

11111111

11111111

11111111

11111111

11111111

11111111

11111111

11111111

11111111

11111111

11111111

11111111

11111111

11111111

11111111

11111111

11111111

11111111

11111111

11111111

11111111

11111111

11111111

11111111

11111111

11111111

PART NO.	DESCRIPTION	
446070-451	MOTOR SHROUD (PLASTIC)	X
2 354937-451	MOTOR SHROUD MOUNTING STUD	X
3 446200	MOTOR SHROUD MOUNTING SPRING	X
4 354969-451	BELT COVER MOUNTING SCREW	X
354969-451	MOTOR SHROUD SCREW (2)	X
5 148881	MOTOR SHROUD SCREW NUT (2)	X
6 446068-451	BELT COVER (PLASTIC)	X
7 354805-451	MOTOR BELT COVER SCREW (UPPER)	X
8 354792-451	MOTOR BELT COVER SCREW (LOWER)	X
9 445736-452	MOTOR BELT COVER (PLASTIC)	X
10 354405-451	THUMB SCREW (SLOTTED) (METRIC)	X
11 446015	BED COVER (BOTTOM, PLASTIC)	X
12 354833-451	BED COVER (BOTTOM) SCREW	X
13 446154-451	BED LEG CUSHION (4)	X
14 354552-451	BED EXTENSION PLATE SCREW (2)	X
354766-451	BED EXTENSION PLATE SCREW, ALTERNATE TO 354552-451 FOR QUIETARO (2)	X
15 445069-463	BED EXTENSION PLATE	X
16 116863	FINGER GUARD	X
353109	FINGER GUARD (ALTERNATE TO NO. 116863)	X
17 354938-451	MOTOR MOUNTING SCREW & BELT COVER MOUNTING STUD	X
19 446016	BED COVER KIT	X

353216 FINGER GUARD ASSEMBLY 176 N-R-506A

446070 FINGER GUARD PLATE SCREW

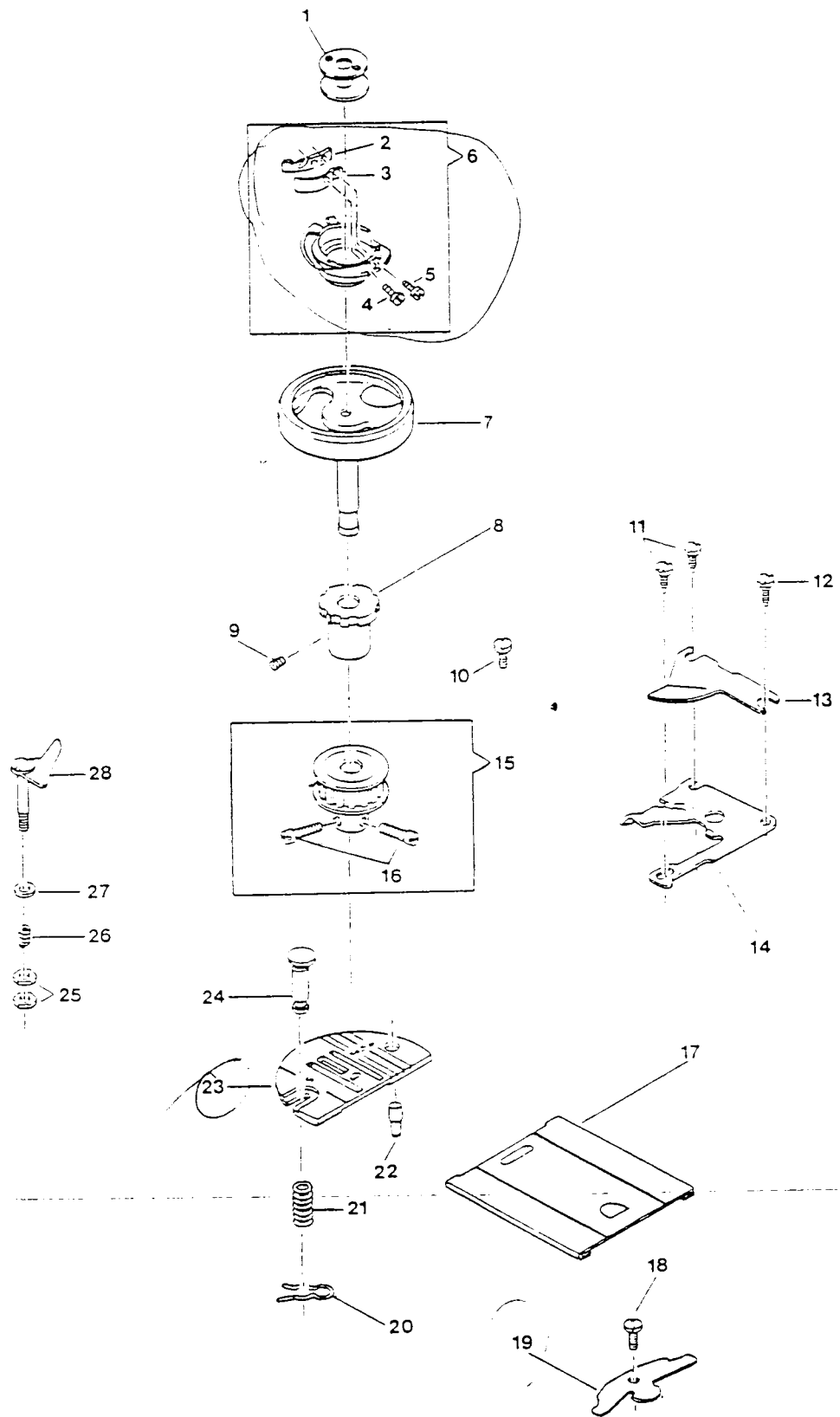
From the library of Diamond Needle Co.

ROTATING HOOK, THROAT AND BED SLIDES

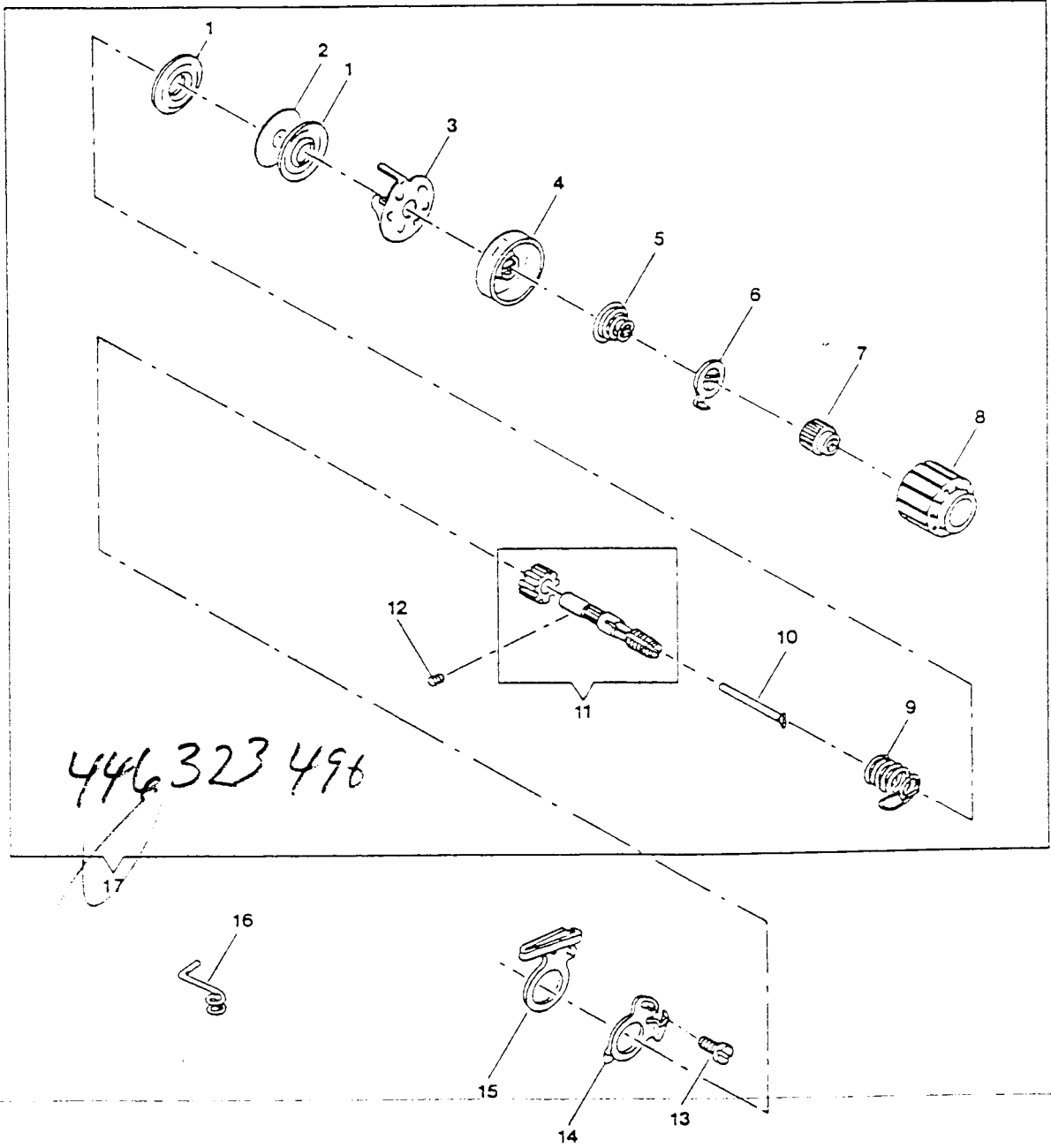
111111
121212
14161818
1713
1N1N
1X1X

REF.	PART NO.	DESCRIPTION	
1	172336 ✓	ROTATING HOOK BOBBIN (PLASTIC)	1X1X
2	310884-451	ROTATING HOOK BOBBIN CASE TENSION SPRING SEGMENT	1X1X1X1
3	310883	ROTATING HOOK BOBBIN CASE TENSION SPRING	1X1X1X1
4	354183-451	ROTATING HOOK BOBBIN CASE TENSION REGULATING SCREW	1X1X1X1
5	139975-803	ROTATING HOOK BOBBIN CASE TENSION SPRING SEGMENT SCREW	1X1X1X1
6	421326 ✓	ROTATING HOOK BOBBIN CASE	1X1X1X1
7	445554	ROTATING HOOK	1X1X1X1
	445554-001	ROTATING HOOK (ALTERNATE TO NO. 445554, FOR TAIWAN)	1X1X1X1
8	44512	ROTATING HOOK FLANGED BUSHING (ECCENTRIC)	1X1X1X1
9	141925-833	ROTATING HOOK FLANGED BUSHING (ECCENTRIC) SET SCREW	1X1X1X1
10	139943-803	ROTATING HOOK FLANGED BUSHING (ECCENTRIC) POSITION ADJUSTING SCREW	1X1X1X1
11	354229-452	ROTATING HOOK BOBBIN CASE POSITION PLATE & RETAINING PLATE (ADJUSTABLE) ADJUSTING SCREW	1X1X1X1
	354229-452	ROTATING HOOK BOBBIN CASE POSITION PLATE SCREW	1X1X1X1
12	354227-452	ROTATING HOOK BOBBIN CASE POSITION PLATE & RETAINING PLATE (ADJUSTABLE) SCREW	1X1X1X1
13	381903	ROTATING HOOK BOBBIN CASE RETAINING PLATE (ADJUSTABLE)	1X1X1X1
14	44873-001	ROTATING HOOK BOBBIN CASE POSITION PLATE	1X1X1X1
15	445559	ROTATING HOOK BELT DRIVE PULLEY	1X1X1X1
	44716	ROTATING HOOK BELT DRIVE PULLEY (ALTERNATE TO NO. 445559, FOR QUERETARO)	1X1X1X1
16	354664-451	ROTATING HOOK BELT DRIVE PULLEY SET SCREW (2)	1X1X1X1
	354906-451	ROTATING HOOK BELT DRIVE PULLEY SET SCREW (2)	1X1X1X1
17	446151 ✓	BED SLICE	1X1X1X1
	179521-003	BED SLICE (ALTERNATE TO NO. 446151, FOR QUERETARO)	1X1X1X1
18	354552-451	BED SLIDE SPRING SCREW	1X1X1X1
	354766-451	BED SLIDE SPRING SCREW, ALTERNATE TO 354522-451 FOR QUERETARO	1X1X1X1
19	37239 ✓	BED SLIDE SPRING	1X1X
20	179658	THROAT PLATE CLAMP SPRING RETAINING CLIP	1X1X
21	444889	THROAT PLATE CLAMP SPRING	1X1X1X1
22	44808	THROAT PLATE POSITION PIN	1X1X1X1
	446254	THROAT PLATE POSITION PIN (ALTERNATE TO NO. 44808 FOR TAIWAN)	1X1X1X1
	446900	THROAT PLATE POSITION PIN (ALTERNATE TO NO. 44808, FOR QUERETARO)	1X1X1X1
23	446027 ✓	THROAT PLATE FOR ZIGZAG SEWING	1X1X1X1
	446027-001	THROAT PLATE FOR ZIGZAG SEWING (ALTERNATE TO NO. 446027, FOR QUERETARO)	1X1X1X1
	446027-002	THROAT PLATE FOR ZIGZAG SEWING (ALTERNATE TO NO. 446027, FOR TAIWAN)	1X1X1X1
24	446028	THROAT PLATE CLAMP	1X1X1X1
25	514607	ROTATING HOOK BOBBIN CASE RETAINING PLATE STUD NUT (2)	1X1X1X1
	179744-451	ROTATING HOOK BOBBIN CASE RETAINING PLATE STUD NUT (ALTERNATE TO (2) 514607, FOR QUERETARO)	1X1X1X1
26	44892	ROTATING HOOK BOBBIN CASE RETAINING PLATE STUD SPRING	1X1X1X1
27	445808	ROTATING HOOK BOBBIN CASE RETAINING PLATE STUD WASHER	1X1X1X1
28	446140	ROTATING HOOK BOBBIN CASE RETAINING PLATE	1X1X1X1
	353111	ROTATING HOOK BOBBIN CASE RETAINING PLATE ASSEMBLY (ALTERNATE FOR QUERETARO)	1X1X1X1
			111111
			121212
			14161818
			1713
			1N1N
			1X1X

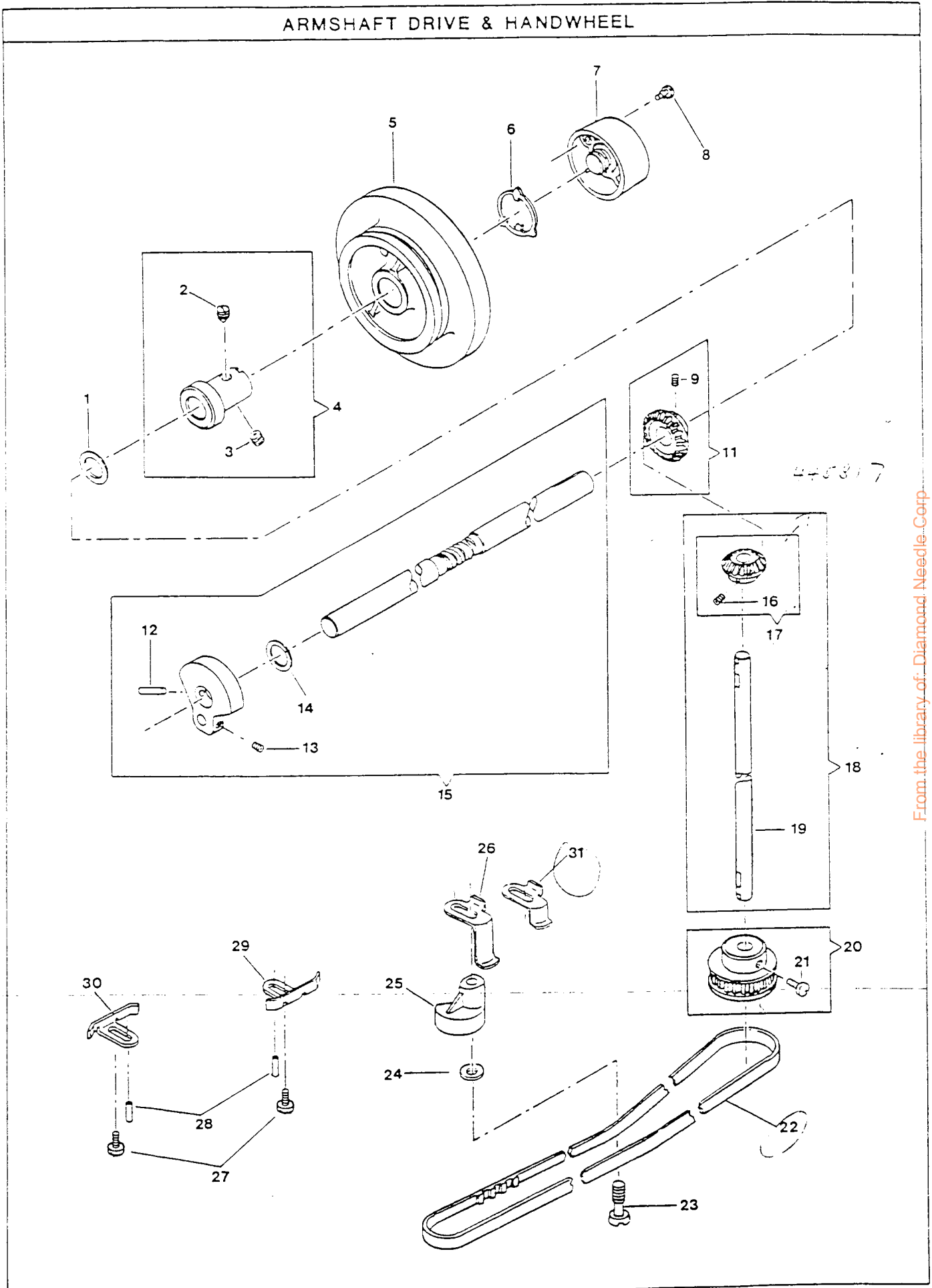
ROTATING HOOK, THROAT AND BED SLIDE



THREAD TENSION



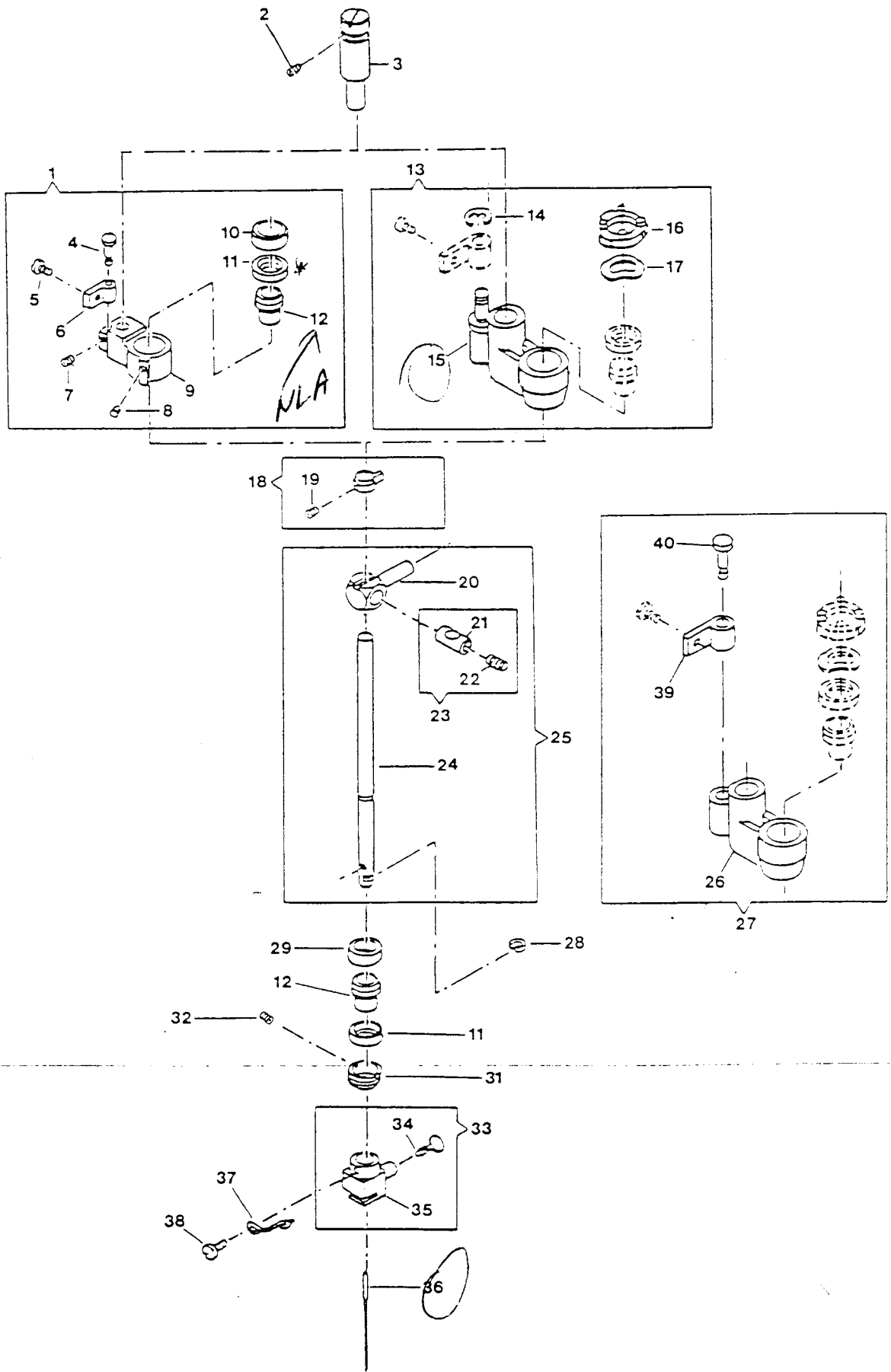
ARMSHAFT DRIVE & HANDWHEEL



440817

From the library of: Diamond Needle Corp.

NEEDLE BAR



From the library of: Diamond Needle Corp

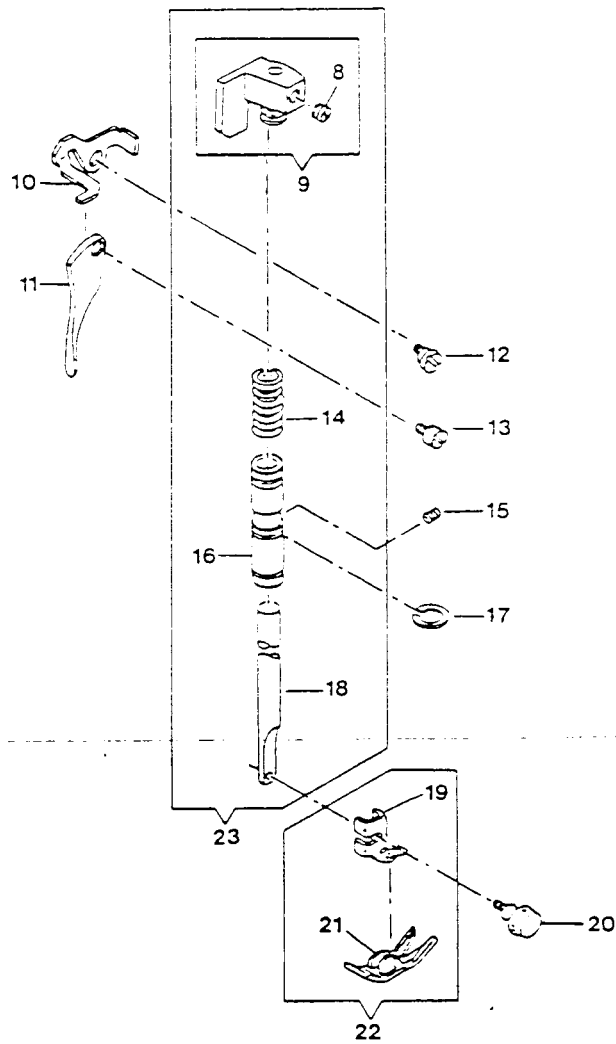
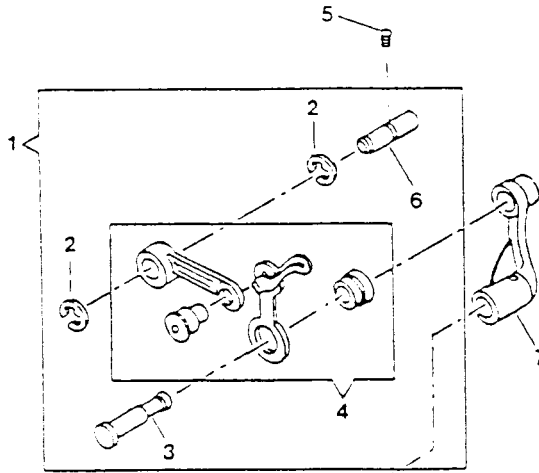
NEEDLE BAR

PART NO.	DESCRIPTION	
37945	NEEDLE BAR VIBRATING BRACKET (NLA)	
2 354813-451	NEEDLE BAR VIBRATING BRACKET HINGE PIN (ECCENTRIC) SET SCREW	
141918-833	NEEDLE BAR VIB. BRACKET HINGE PIN (ECC.) SET SCREW (ALT. TO NO. 354813-451, FOR QUERETARO)	
3 445124	NEEDLE BAR VIBRATING BRACKET HINGE PIN (ECCENTRIC)	
4 37935	NEEDLE BAR DRIVING ARM HINGE BRACKET HINGE PIN	
5 141844-819	NEEDLE BAR DRIVING ARM HINGE BRACKET SCREW	
6 37934	NEEDLE BAR DRIVING ARM HINGE BRACKET	
7 141940-833	NEEDLE BAR DRIVING ARM HINGE BRACKET HINGE PIN SET SCREW	
141913-833	N. B. DR. ARM HINGE BCKT HINGE PIN SET SCREW. ALT. TO 141940-833 ON 1280/1276R FOR QUERET.	
8 141803-830	NEEDLE BAR BALL BUSHING (UPPER) ADJUSTING COLLAR SET SCREW	
9 37944	NEEDLE BAR VIBRATING BRACKET	
10 37928	NEEDLE BAR BALL BUSHING (UPPER) ADJUSTING COLLAR	
11 507379-001	NEEDLE BAR BALL BUSHING (UPPER & LOWER) SOCKET	
12 37927	NEEDLE BAR BALL BUSHING (UPPER & LOWER)	
13 446172	NEEDLE BAR VIBRATING BRACKET COMPLETE	
14 507343	NEEDLE BAR DRIVING ARM HINGE BRACKET HINGE PIN RETAINING RING	
15 422404	NEEDLE BAR VIBRATING BRACKET	
16 422320	NEEDLE BAR BALL BUSHING (UPPER) RETAINING RING	
17 502354	NEEDLE BAR BALL BUSHING (UPPER) SPRING WASHER	
18 445406	NEEDLE BAR VIBRATING BRACKET HINGE PIN (ECCENTRIC) COLLAR	
444802	NEEDLE BAR VIBRATING BRACKET HINGE PIN (ECC) COLLAR (ALT. TO NO. 445406, FOR QUERETARO)	
19 354592-451	NEEDLE BAR VIBRATING BRACKET HINGE PIN (ECCENTRIC) COLLAR SCREW	
354592-451	N.B. VIB. BROKT. HINGE PIN (ECC) COLLAR SCREW (ALT. TO NO. 354592-451, FOR QUERETARO)	
20 445865	NEEDLE BAR CONNECTING STUD	
37930	NEEDLE BAR CONNECTING STUD (ALTERNATE TO NO. 445865)	
37931	NEEDLE BAR CONNECTING STUD HINGE PIN	
22 141916-833	NEEDLE BAR CLAMPING SCREW	
354387-451	NEEDLE BAR CLAMPING SCREW (ALTERNATE TO NO. 141916-833)	
23 37932	NEEDLE BAR CONNECTING STUD HINGE PIN	
24 37926	NEEDLE BAR	
25 445184	NEEDLE BAR	
26 446195	NEEDLE BAR VIBRATING BRACKET (PLASTIC)	
27 446196	NEEDLE BAR VIBRATING BRACKET	
28 37943	NEEDLE BAR GIB	
29 44450	NEEDLE BAR BALL BUSHING (LOWER) SOCKET (UPPER)	
31 44473	NEEDLE BAR BALL BUSHING (LOWER) ADJUSTING SCREW	
32 141938-833	NEEDLE BAR BALL BUSHING (LOWER) ADJUSTING SCREW SET SCREW	
33 445790	NEEDLE CLAMP	
37949	NEEDLE CLAMP (ALTERNATE TO NO. 445790, FOR QUERETARO)	
34 141942-451	NEEDLE THUMB SCREW	
141942-892	NEEDLE THUMB SCREW (ALTERNATE TO NO. 141942-451, FOR QUERETARO)	
35 445815	NEEDLE CLAMP BODY	
37950	NEEDLE CLAMP BODY (ALTERNATE TO NO. 445815, FOR QUERETARO)	
36 N2045	NEEDLE SIZE NO. 14	
37 445756	NEEDLE CLAMP THREAD GUIDE	
319721	NEEDLE CLAMP THREAD GUIDE (ALTERNATE TO NO. 445756, FOR QUERETARO)	
38 141808-451	NEEDLE CLAMP BODY, NEEDLE CLAMP THREAD GUIDE & NEEDLE STOP SCREW	
39 446190	NEEDLE BAR DRIVING ARM HINGE BRACKET	
40 446191	NEEDLE BAR DRIVING ARM HINGE BRACKET HINGE PIN	

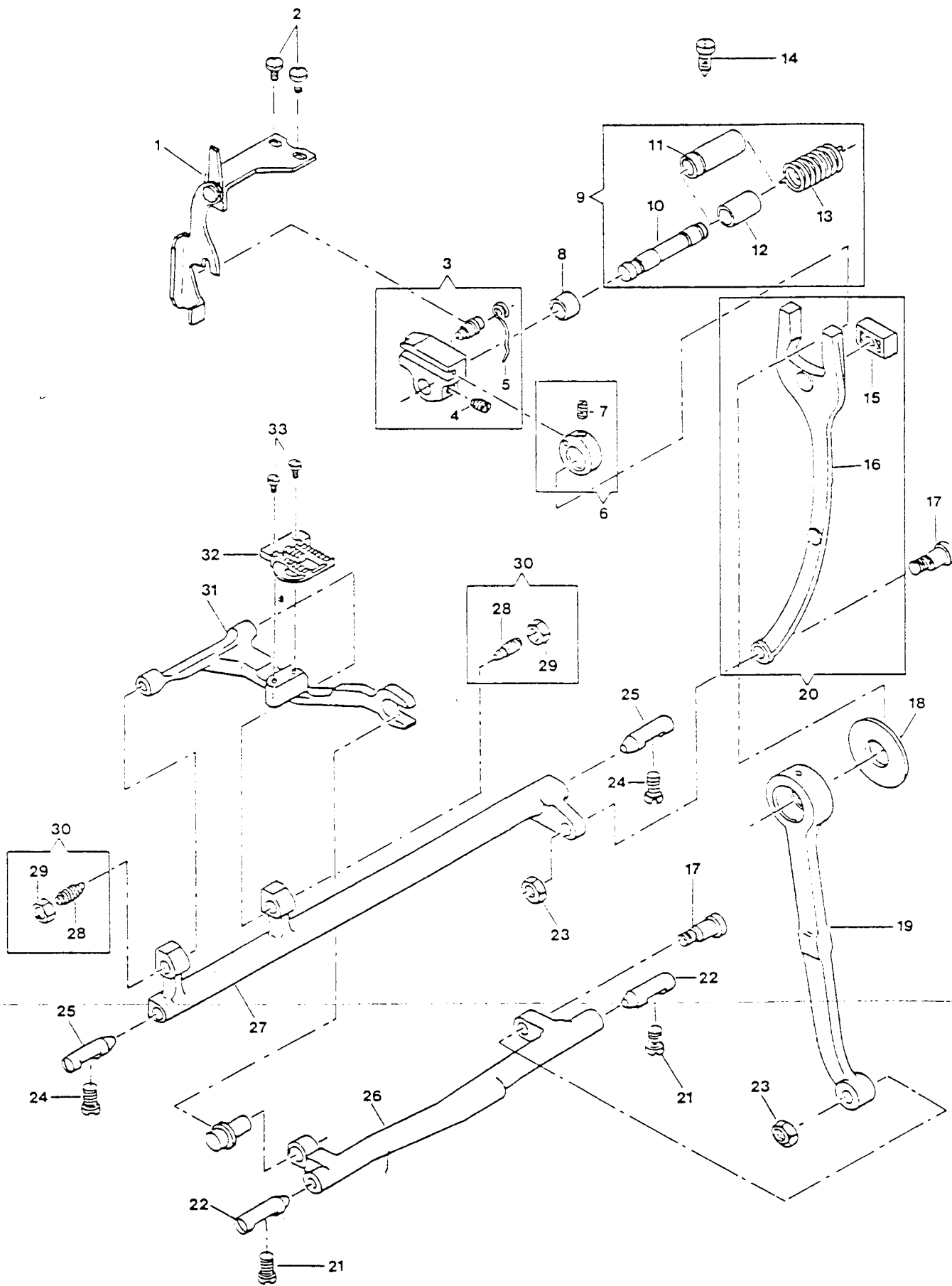
THREAD TAKE UP & PRESSURE BAR

REF.	PART NO.	DESCRIPTION	1	2	3	4	5	6	7	8	9	10	11	12	13	14	15	16	17	18	19	20	21	22	23
1	445673	THREAD TAKE-UP LEVER COMPLETE	X	X	X	X	X	X	X	X	X	X	X	X	X	X	X	X	X	X	X	X	X	X	
2	44472	THREAD TAKE-UP LEVER LINK HINGE STUD RETAINING RING (LEFT & RIGHT)	X	X	X	X	X	X	X	X	X	X	X	X	X	X	X	X	X	X	X	X	X	X	
3	445599	THREAD TAKE-UP STUD	X	X	X	X	X	X	X	X	X	X	X	X	X	X	X	X	X	X	X	X	X	X	
4	445672	THREAD TAKE-UP LEVER	X	X	X	X	X	X	X	X	X	X	X	X	X	X	X	X	X	X	X	X	X	X	
5	141803-830	THREAD TAKE-UP LEVER LINK HINGE STUD SET SCREW	X	X	X	X	X	X	X	X	X	X	X	X	X	X	X	X	X	X	X	X	X	X	
6	446798	THREAD TAKE-UP LEVER LINK HINGE STUD	X	X	X	X	X	X	X	X	X	X	X	X	X	X	X	X	X	X	X	X	X	X	
7	445224	NEEDLE BAR CONNECTING LINK (POWDERED METAL)	X	X	X	X	X	X	X	X	X	X	X	X	X	X	X	X	X	X	X	X	X	X	
7	44719	NEEDLE BAR CONNECTING LINK (CAST IRON)(ALTERNATE TO NO. 445224)	X	X	X	X	X	X	X	X	X	X	X	X	X	X	X	X	X	X	X	X	X	X	
8	141925-833	PRESSER BAR GUIDE BRACKET SET SCREW	X	X	X	X	X	X	X	X	X	X	X	X	X	X	X	X	X	X	X	X	X	X	
8	141936-833	PRESSER BAR GUIDE BRACKET SET SCREW (ALTERNATE TO NO. 141925-833)	X	X	X	X	X	X	X	X	X	X	X	X	X	X	X	X	X	X	X	X	X	X	
9	445950	PRESSER BAR GUIDE BRACKET	X	X	X	X	X	X	X	X	X	X	X	X	X	X	X	X	X	X	X	X	X	X	
10	445925	TENSION RELEASING LEVER	X	X	X	X	X	X	X	X	X	X	X	X	X	X	X	X	X	X	X	X	X	X	
11	44445	PRESSER BAR LIFTER	X	X	X	X	X	X	X	X	X	X	X	X	X	X	X	X	X	X	X	X	X	X	
12	354543-451	TENSION RELEASING LEVER HINGE SCREW	X	X	X	X	X	X	X	X	X	X	X	X	X	X	X	X	X	X	X	X	X	X	
13	354860-451	PRESSER BAR LIFTER HINGE SCREW	X	X	X	X	X	X	X	X	X	X	X	X	X	X	X	X	X	X	X	X	X	X	
14	446146	PRESSER BAR SPRING	X	X	X	X	X	X	X	X	X	X	X	X	X	X	X	X	X	X	X	X	X	X	
15	141803-830	PRESSER BAR BUSHING SET SCREW	X	X	X	X	X	X	X	X	X	X	X	X	X	X	X	X	X	X	X	X	X	X	
16	445947	PRESSER BAR BUSHING	X	X	X	X	X	X	X	X	X	X	X	X	X	X	X	X	X	X	X	X	X	X	
17	445948	PRESSER BAR BUSHING LOCATING RING	X	X	X	X	X	X	X	X	X	X	X	X	X	X	X	X	X	X	X	X	X	X	
18	445946	PRESSER BAR	X	X	X	X	X	X	X	X	X	X	X	X	X	X	X	X	X	X	X	X	X	X	
19	155964	✓ PRESSER FOOT SHANK (SNAP-ON)	X	X	X	X	X	X	X	X	X	X	X	X	X	X	X	X	X	X	X	X	X	X	
20	504030	PRESSER FOOT THUMB SCREW	X	X	X	X	X	X	X	X	X	X	X	X	X	X	X	X	X	X	X	X	X	X	
20	354135-451	PRESSER FOOT THUMB SCREW (ALTERNATE TO NO. 504030 FOR OLRE TARO)	X	X	X	X	X	X	X	X	X	X	X	X	X	X	X	X	X	X	X	X	X	X	
21	155962	✓ PRESSER FOOT PLATE (SNAP-ON) FOR ZIGZAG SEWING	X	X	X	X	X	X	X	X	X	X	X	X	X	X	X	X	X	X	X	X	X	X	
22	445464	✓ PRESSER FOOT (SNAP-ON) COMPLETE FOR ZIG-ZAG SEWING	X	X	X	X	X	X	X	X	X	X	X	X	X	X	X	X	X	X	X	X	X	X	
23	446147	PRESSER BAR ASSEMBLY	X	X	X	X	X	X	X	X	X	X	X	X	X	X	X	X	X	X	X	X	X	X	

THREAD TAKE UP & PRESSURE BAR



FEED MECHANISM



From the library of: Diamond Needle Corp

FEED MECHANISM

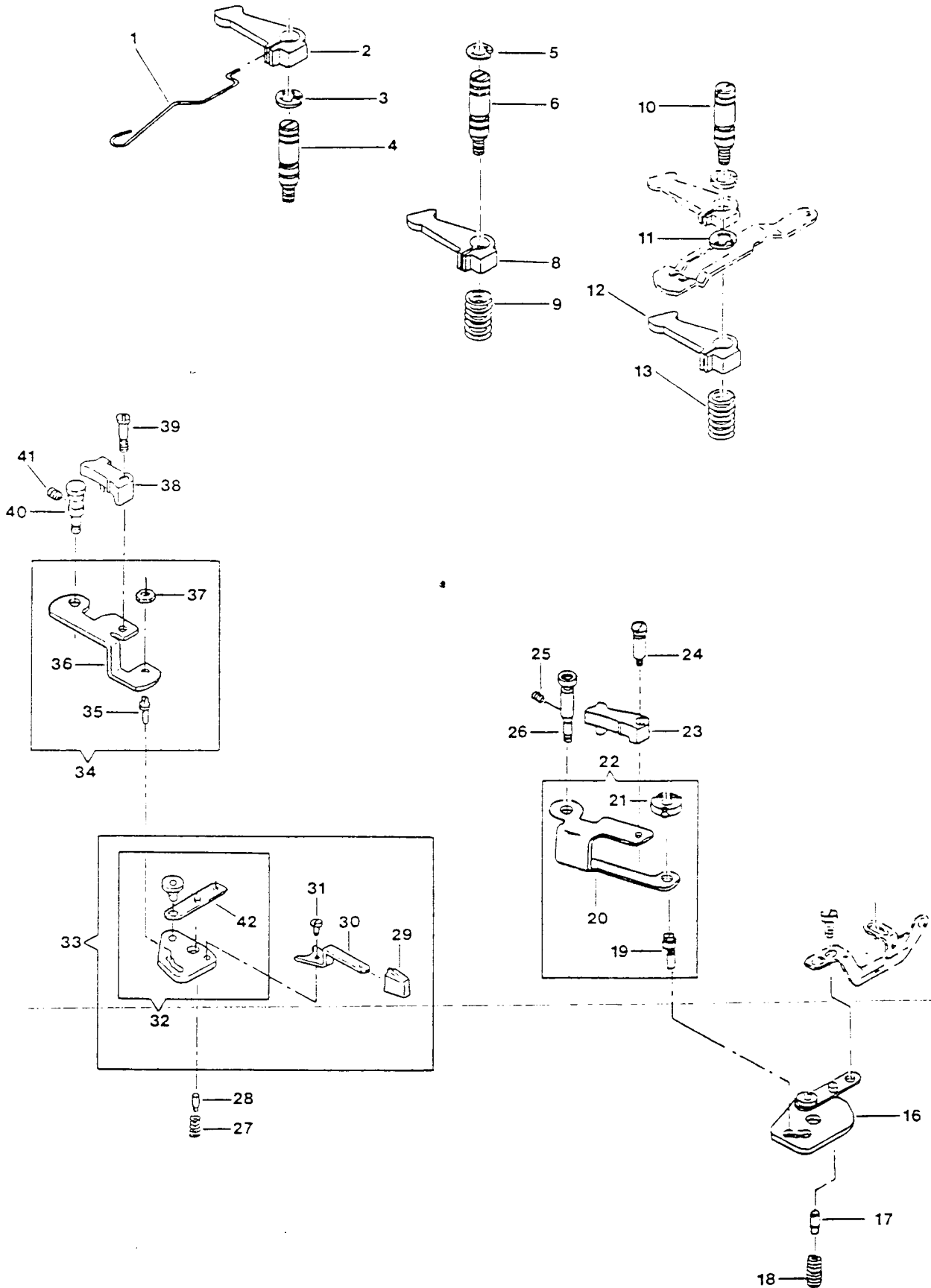
		11111111
		12121212
		14161818
		17131018
		1N1N1N1N
PART NO.	DESCRIPTION	
1	445148 FEED REGULATOR CONTROL ARM	X X X
	445151 FEED REGULATOR CONTROL ARM	X
2	354552-451 FEED REGULATOR CONTROL ARM MOUNTING BRACKET SCREW (2)	X X X X
3	444857 FEED REGULATOR	X X X
	445478 FEED REGULATOR	X
4	141925-833 FEED REGULATOR HINGE STUD SET SCREW	X X X
	354666-451 FEED REGULATOR HINGE STUD SET SCREW	X
5	445837 FEED REGULATOR CUSHION SPRING	X X X X
6	319696 FEED CAM	X X X X
7	354082-833 FEED CAM SET SCREW	X X X X
	354813-451 FEED CAM SET SCREW (ALTERNATE TO NO. 354082-833, FOR CAMPINAS)	X X X X
8	445767 FEED REGULATOR SPACER (PLASTIC)	X X X
9	445955 FEED REGULATOR HINGE STUD	X X X
10	445766 FEED REGULATOR HINGE STUD	X X X X
11	445838 FEED REGULATOR HINGE STUD BUSHING	X
12	445768 FEED REGULATOR RETURN SPRING SPACER (PLASTIC)	X X X
13	445860 FEED REGULATOR RETURN SPRING	X X X X
14	354766-451 FEED REGULATOR CONTROL ARM MOUNTING BRACKET SCREW (2)	X X X
	354647-451 FEED REGULATOR HINGE STUD BUSHING SET SCREW	X
15	319820 FEED FORKED CONNECTION SLIDE BLOCK (PLASTIC)	X X X X
	44437 FEED FORKED CONNECTION SLIDE BLOCK (ALTERNATE TO NO. 319820, FOR QLEFETARO)	X X X X
16	445811 FEED FORKED CONNECTION	X X X X
	37283 FEED FORKED CONNECTION (ALTERNATE TO NO. 445811, FOR QLEFETARO)	X X X X
17	141805-850 FEED FORKED CONNECTION HINGE SCREW (ECCENTRIC)	X X X X
	141805-850 FEED LIFTING ROCK SHAFT CONNECTING ROD HINGE SCREW (ECCENTRIC)	X X X X
	37284-001 FEED FORKED CONNECTION RETAINING WASHER (PLASTIC)	X X X X
	37288 FEED LIFTING ROCK SHAFT CONNECTING ROD	X X X X
20	445758 FEED FORKED CONNECTION	X X X X
	444815 FEED FORKED CONNECTION (ALTERNATE TO NO. 445758, FOR QLEFETARO)	X X X X
21	354316-451 FEED LIFTING ROCK SHAFT CENTER SET SCREW (2)	X X X X
22	37287 FEED LIFTING ROCK SHAFT CENTER (2)	X X X X
23	53648-819 FEED FORKED CONNECTION HINGE SCREW (ECCENTRIC) NUT	X X X X
	53648-819 FEED LIFTING ROCK SHAFT CONNECTING ROD HINGE SCREW (ECCENTRIC) NUT	X X X X
24	354316-451 FEED ROCK SHAFT CENTER SET SCREW (2)	X X X X
25	37287 FEED ROCK SHAFT CENTER (2)	X X X X
26	446152 FEED LIFTING ROCK SHAFT	X X X X
27	37915 FEED ROCK SHAFT (ALTERNATE TO NO. 445952, FOR QLEFETARO)	X X X X
	445952 FEED ROCK SHAFT	X X X X
28	141921-850 FEED BAR SCREW CENTER (2)	X X X X
29	53647-819 FEED BAR SCREW CENTER NUT (2)	X X X X
30	44505 FEED BAR SCREW CENTER (2)	X X X X
31	445803 FEED BAR	X X X X
	44601 FEED BAR (ALTERNATE TO NO. 445803, FOR QLEFETARO & CAMPINAS)	X X X X
32	153286 FEED DOG	X X X X
	445896 FEED DOG (ALTERNATE TO NO. 153286, FOR CAMPINAS)	X X X
	445896 FEED DOG (ALTERNATE TO NO. 153286, FOR CAMPINAS)	X
	446017 FEED DOG (ALTERNATE TO NO. 153286, FOR TAIWAN)	X X X X
33	141808-452 FEED DOG SCREW (2)	X X X X

NEEDLE POSITION

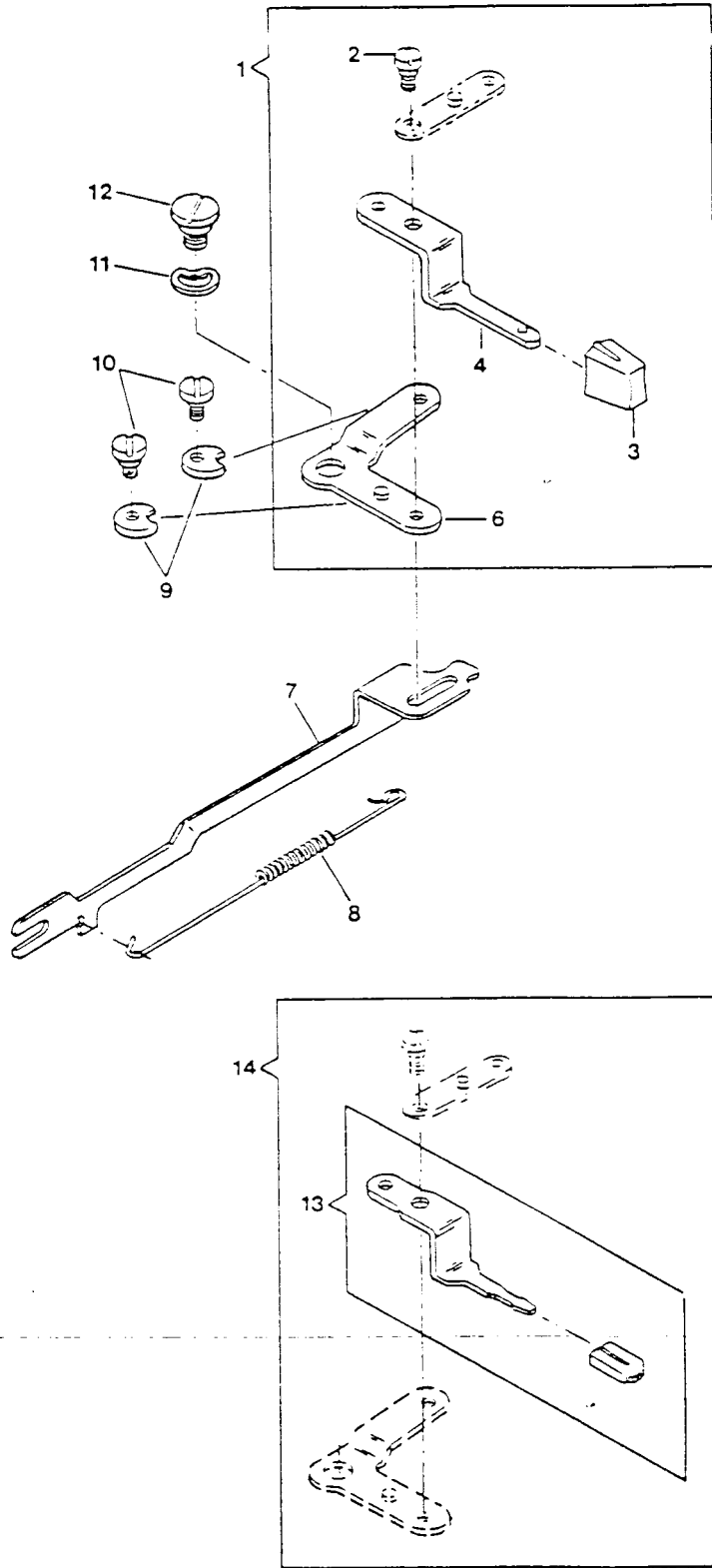
11111111
12121212
141618181
171311
111111

REF .	PART NO.	DESCRIPTION				
1	44589	DISC FOLLOWER SPRING				
2	445646	DISC FOLLOWER				
3	44371	DISC FOLLOWER RETAINING RING				
4	446023	DISC FOLLOWER STUD				
5	44371	DISC FOLLOWER RETAINING RING				
6	446023	DISC FOLLOWER STUD				
6	446024	DISC FOLLOWER STUD (ALTERNATE TO NO. 446023, FOR TAIWAN)				
8	445646	DISC FOLLOWER				
9	44886	DISC FOLLOWER SPRING				
10	446023	DISC FOLLOWER (LOWER & UPPER) STUD				
11	44371	DISC FOLLOWER (LOWER) RETAINING RING				
12	445646	DISC FOLLOWER (LOWER)				
13	44886	DISC FOLLOWER (LOWER) SPRING				
16	445329	NEEDLE POSITION SELECTOR BRACKET				
17	319690	NEEDLE POSITION SELECTOR BRACKET POSITIONING PIN				
18	444800	NEEDLE POSITION SELECTOR BRACKET POSITIONING PIN SPRING				
19	445347	NEEDLE POSITION SELECTOR BRACKET FOLLOWER SCREW STUD (ECCENTRIC)				
20	445331	NEEDLE BAR DRIVING ARM SLIDE BRACKET				
21	179739-451	NEEDLE POSITION SELECTOR BRACKET FOLLOWER SCREW STUD (ECCENTRIC) NUT				
22	445332	NEEDLE BAR DRIVING ARM SLIDE BRACKET				
23	445840	NEEDLE BAR DRIVING ARM SLIDE				
24	354642-451	NEEDLE BAR DRIVING ARM SLIDE HINGE SCREW				
25	141803-830	N.B. DRIV. ARM SLIDE BCKT HINGE STUD & ARM TOP COVER SCREW (LEFT) MOUNT. STUD SET SCREW				
26	445250	NEEDLE BAR DRIVING ARM SLIDE BRACKET HINGE STUD & ARM TOP COVER SCREW (LEFT) MOUNT. STUD				
27	444800	NEEDLE POSITION SELECTOR LEVER BRACKET POSITIONING PIN SPRING				
28	319690	NEEDLE POSITION SELECTOR LEVER BRACKET POSITIONING PIN				
29	444896-456	NEEDLE POSITION SELECTOR LEVER KNOB (PLASTIC)				
30	444895	NEEDLE POSITION SELECTOR LEVER				
31	141913-819	NEEDLE POSITION SELECTOR LEVER SCREW				
	141913-451	NEEDLE POSITION SELECTOR LEVER SCREW (ALTERNATE TO NO. 141913-819, FOR CAMPINAS)				
32	37953	NEEDLE POSITION SELECTOR LEVER BRACKET				
	44628	NEEDLE POSITION SELECTOR LEVER BRACKET				
33	37952	NEEDLE POSITION SELECTOR LEVER				
	446093-451	NEEDLE POSITION SELECTOR LEVER				
	44626	NEEDLE POSITION SELECTOR LEVER				
34	445348	NEEDLE BAR DRIVING ARM SLIDE BRACKET				
35	445347	NEEDLE POSITION SELECTOR LEVER BRACKET FOLLOWER SCREW STUD (ECCENTRIC)				
36	37939	NEEDLE BAR DRIVING ARM SLIDE BRACKET				
37	53641-819	NEEDLE POSITION SELECTOR LEVER BRACKET FOLLOWER SCREW STUD (ECCENTRIC) NUT				
38	445841	NEEDLE BAR DRIVING ARM SLIDE				
38	445840	NEEDLE BAR DRIVING ARM SLIDE				
39	354665-451	NEEDLE BAR DRIVING ARM SLIDE HINGE SCREW				
39	354642-451	NEEDLE BAR DRIVING ARM SLIDE HINGE SCREW				
40	445583	NEEDLE BAR DRIVING ARM SLIDE BRACKET HINGE STUD				
	37941	NEEDLE BAR DRIVING ARM SLIDE BRACKET HINGE STUD				
41	141803-830	NEEDLE BAR DRIVING ARM SLIDE BRACKET HINGE STUD SET SCREW				
42	44556	BUTTONHOLDER NEEDLE POSITION CAM FOLLOWER LEVER LINK (LEFT)				

NEEDLE POSITION



STITCH WIDTH (BIGHT)



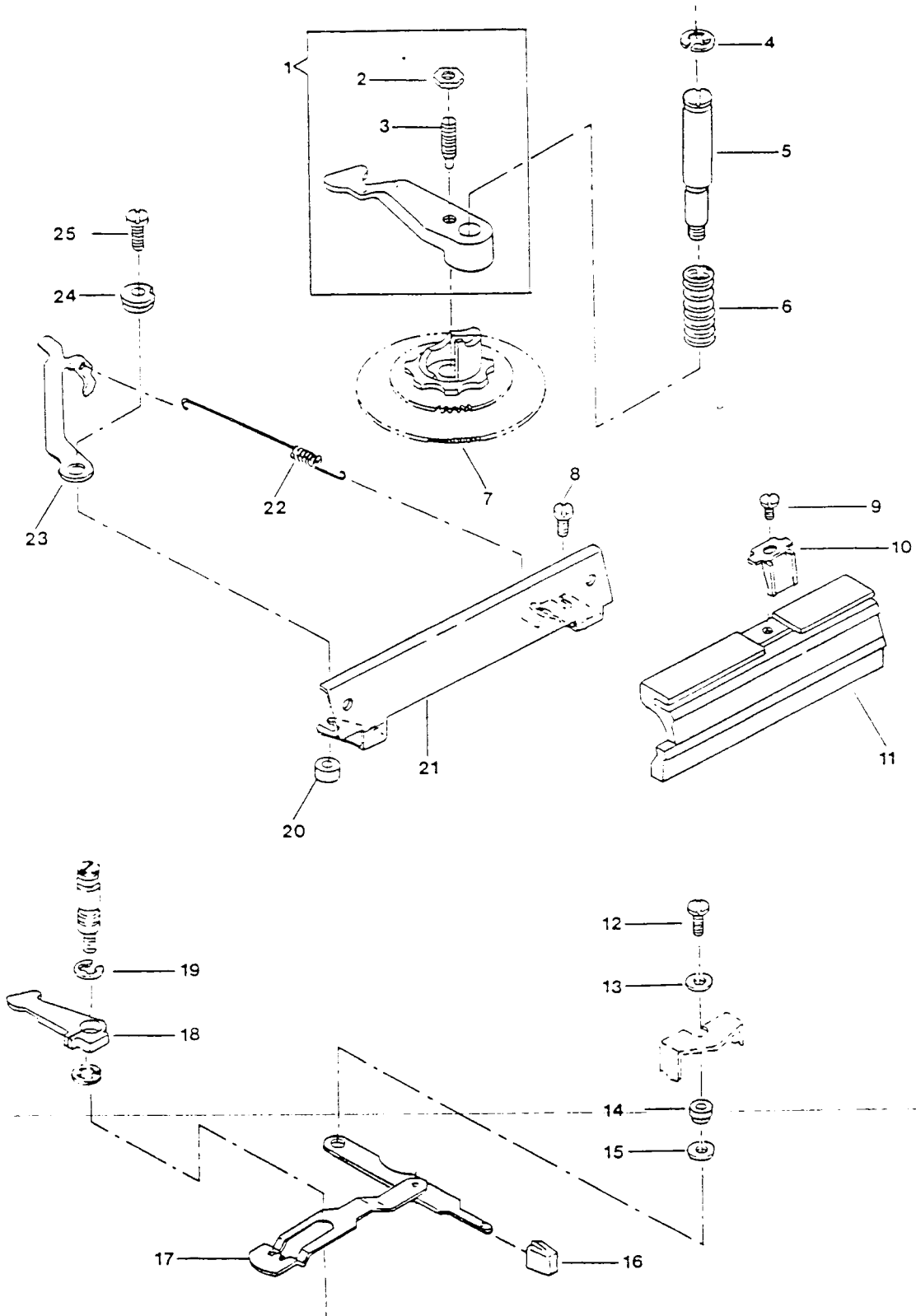
STITCH WIDTH (BIGHT)

1111111
1212121
14161818
17131018
1N1N1N1N

	PART NO.	DESCRIPTION				
	44711	BIGHT AMPLITUDE CONTROL LEVER		X		
	44652	BIGHT AMPLITUDE CONTROL LEVER		X		
2	141913-451	BIGHT AMPLITUDE CONTROL LEVER SCREW		X		
	139866-451	BIGHT AMPLITUDE CONTROL LEVER SCREW		X	X	X
3	444896-456	BIGHT AMPLITUDE CONTROL LEVER KNOB (PLASTIC)		X	X	
4	444893	BIGHT AMPLITUDE CONTROL LEVER		X	X	X
6	37246	BIGHT AMPLITUDE CONTROL LEVER LINK		X	X	X
7	37933	NEEDLE BAR DRIVING ARM				X
	37933-001	NEEDLE BAR DRIVING ARM		X	X	X
	37933-002	NEEDLE BAR DRIVING ARM (ALTERNATE TO NO. 37933-001, FOR TAIWAN)		X	X	X
8	37942	NEEDLE BAR DRIVING ARM TENSION SPRING		X	X	X
9	37248	BIGHT AMPLITUDE CONTROL LEVER LINK STOP (PLASTIC) (2)		X	X	X
	446904	BIGHT AMPLITUDE CONTROL LEVER LINK STOP (ALTERNATE TO NO. 37248)(2)		X	X	X
10	141787-819	BIGHT AMPLITUDE CONTROL LEVER LINK STOP SCREW (2)		X	X	X
	141913-451	BIGHT AMPLITUDE CONTROL LEVER LINK STOP SCREW (ALTERNATE TO NO. 141787-819)(2)		X	X	X
	354592-451	BIGHT AMP. CONT. LEVER LINK STOP SCREW (2) ALT. TO 141913-819 FOR 1280/1276 M/CS FOR QUERE.				X
11	444938	BIGHT AMPLITUDE CONTROL LEVER LINK HINGE SCREW FRICTION WASHER		X	X	X
12	354543-451	BIGHT AMPLITUDE CONTROL LEVER LINK HINGE SCREW		X	X	X
	354965-451	BIGHT AMP. CONT. LEVER LINK HINGE SCREW, ALT. TO 354543-451 FOR QUERET. ON 1280/1276R M/CS				X
13	446054-451	BIGHT AMPLITUDE CONTROL LEVER				X
14	446095-451	BIGHT AMPLITUDE CONTROL LEVER				X

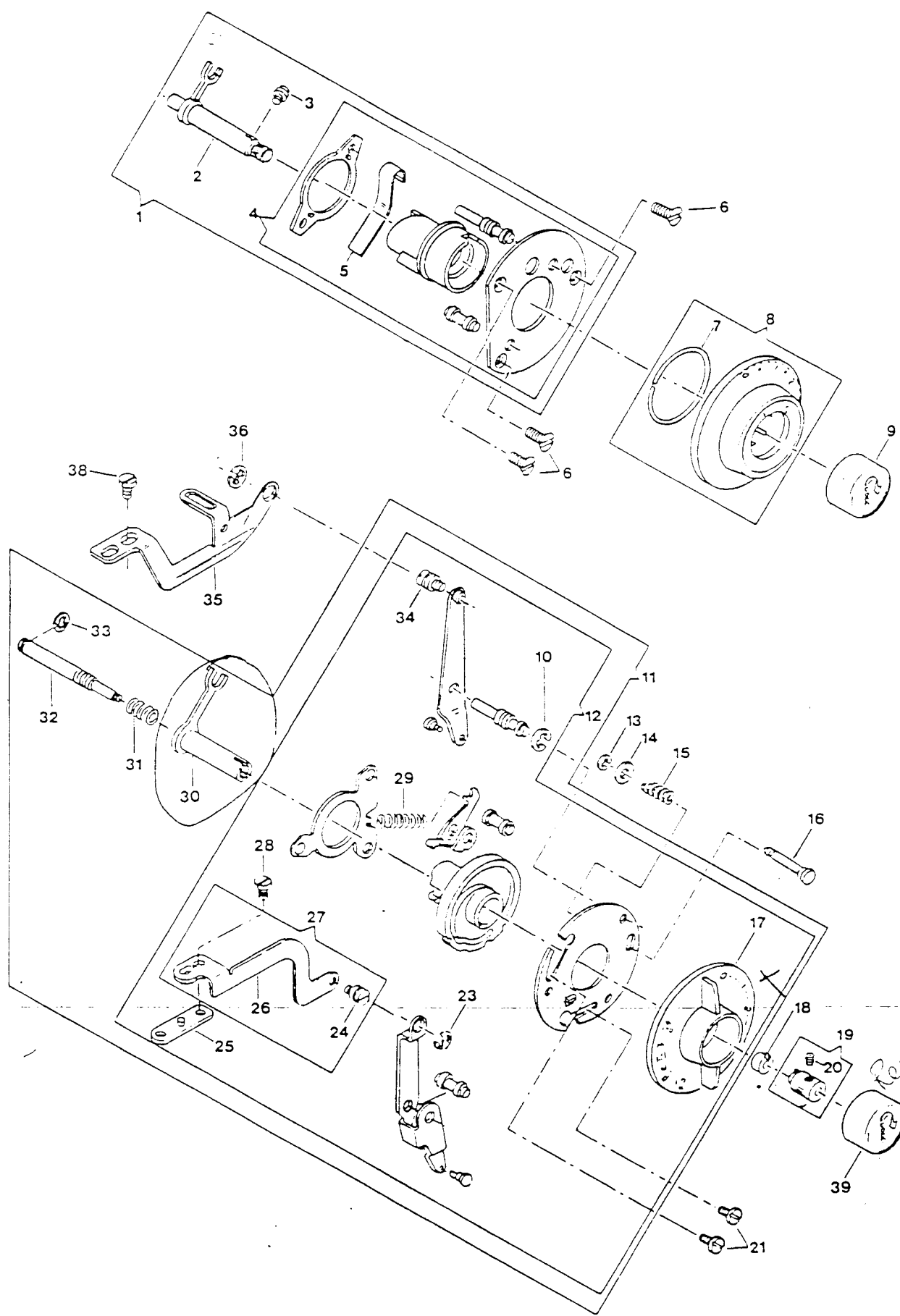
from the library of Diana Bird Needle Corp

PATTERN SELECTOR & INDICATOR



Reverse

FEED REGULATOR & BUTTONHOLER



Reverse

From the library of: Diamond Needle Corp

FEED REGULATOR & BUTTCHOLER

111111

121212

141618

171310

111111

QTY	PART NO.	DESCRIPTION							
1	445653	FEED REGULATOR CAM							
2	445128	FEED REGULATOR CAM FOLLOWER							
3	37970	REVERSE FEED CAM FOLLOWER (STUD)							
4	445652	FEED REGULATOR CAM							
5	44420	FEED REGULATOR CAM FRICTION SPRING							
6	139868-819	FEED REGULATOR MECHANISM MOUNTING PLATE SCREW							
7	445461	FEED REGULATOR CONTROL DIAL RETAINING RING							
8	445922-451	FEED REGULATOR CONTROL DIAL *							
9	445923-451	FEED REGULATOR POSITIONING PIN * KNOB +							
10	44472	BUTTONHOLER NEEDLE POSITION CAM FOLLOWER LEVER RETAINING RING							
11	445930-451	BUTTONHOLER & FEED REGULATOR CAM							
	446084-451	BUTTONHOLER & FEED REGULATOR CAM							
12	445929-451	BUTTONHOLER & FEED REGULATOR CAM							
	446085-451	BUTTONHOLER & FEED REGULATOR CAM							
13	408030	BUTTONHOLER & FEED REGULATOR MECHANISM MOUNTING PLATE STUD RETAINING RING							
	446008	BUTTONHOLER & FEED REGULATOR MECHANISM MOUNTING PLATE STUD RETAINING RING							
	14494	BUTTONHOLER & FEED REGULATOR MECHANISM MOUNT. PLATE STUD RET. RING (ALT. TO NO. 446008)							
14	445938	BUTTONHOLER & FEED REGULATOR MECHANISM MOUNTING PLATE STUD SPRING WASHER							
	549426	B'HOLER & FEED REG. MECH. MOUNT. PLATE STUD SPRING WASHER (ALT. TO NO. 445938, FOR CAMPINAS)							
15	445937	BUTTONHOLER & FEED REGULATOR MECHANISM MOUNTING PLATE STUD SPRING							
16	445936	BUTTONHOLER & FEED REGULATOR MECHANISM MOUNTING PLATE STUD							
17	445931-451	BUTTONHOLER & FEED REGULATOR CONTROL DIAL *							
	446039-451	BUTTONHOLER & FEED REGULATOR CONTROL DIAL							
18	445945	REVERSE FEED CAM FOLLOWER							
19	445943	FEED REGULATOR POSITIONING PIN KNOB ADAPTOR							
20	354865-451	FEED REGULATOR POSITIONING PIN KNOB ADAPTOR SET SCREW							
21	354858-451	BUTTONHOLER & FEED REGULATOR MECHANISM MOUNTING PLATE SCREW							
23	445486	BUTTONHOLER BIGHT CONTROL CAM FOLLOWER LEVER LINK (RIGHT) RETAINING RING							
24	354665-451	BUTTONHOLER BIGHT CONTROL CAM FOLLOWER LEVER LINK (RIGHT) HINGE SCREW							
	139866-451	B'HOLER BIGHT CONT. CAM FOLL. LEVER LINK (RIGHT) HINGE SCREW (ALT. TO NO. 354665-451 & 445486, FOR QUERETARO)							
25	44556	BUTTONHOLER BIGHT CONTROL CAM FOLLOWER LEVER LINK (LEFT)							
26	44557	BUTTONHOLER BIGHT CONTROL CAM FOLLOWER LEVER LINK (RIGHT)							
27	44559C	BUTTONHOLER BIGHT CONTROL CAM FOLLOWER LEVER LINK (RIGHT)							
28	141913-451	BUTTONHOLER BIGHT CONTROL CAM FOLLOWER LEVER LINK (LEFT & RIGHT) SCREW							
29	44547	BUTTONHOLER & FEED REGULATOR CONTROL DIAL PAWL SPRING							
30	445941	FEED REGULATOR POSITIONING PIN CARRIER WITH MOLDED PLASTIC CAM FOLLOWER							
	446239	FEED REG. POSIT. PIN CARRIER WITH MOLDED PLAST. CAM FOLL. (ALTERNATE TO NO. 445941)							
31	44612	FEED REGULATOR POSITIONING PIN FRICTION SPRING							
32	445939	FEED REGULATOR POSITIONING PIN							
33	445721	FEED REGULATOR POSITIONING PIN FRICTION SPRING RETAINING RING							
34	354665-451	BUTTONHOLER NEEDLE POSITION CAM FOLLOWER LEVER LINK (RIGHT) HINGE SCREW							
	139866-451	B'HOLER NEEDLE POSITION CAM FOLL. LEVER LINK (RIGHT) HINGE SCREW (ALT. TO NO. 354665-451 & 445486, FOR QUERETARO)							
35	44561	BUTTONHOLER NEEDLE POSITION CAM FOLLOWER LEVER LINK (RIGHT)							
36	445486	BUTTONHOLER NEEDLE POSITION CAM FOLLOWER LEVER LINK (RIGHT) RETAINING RING							
38	141913-451	BUTTONHOLER BIGHT CONTROL CAM FOLLOWER LEVER LINK (LEFT & RIGHT) SCREW							
39	445942-451	FEED REGULATOR POSITIONING PIN KNOB (reverse)							

Library of Diamond Needle Corp

CAM STACK

1111111

1212121

14161818

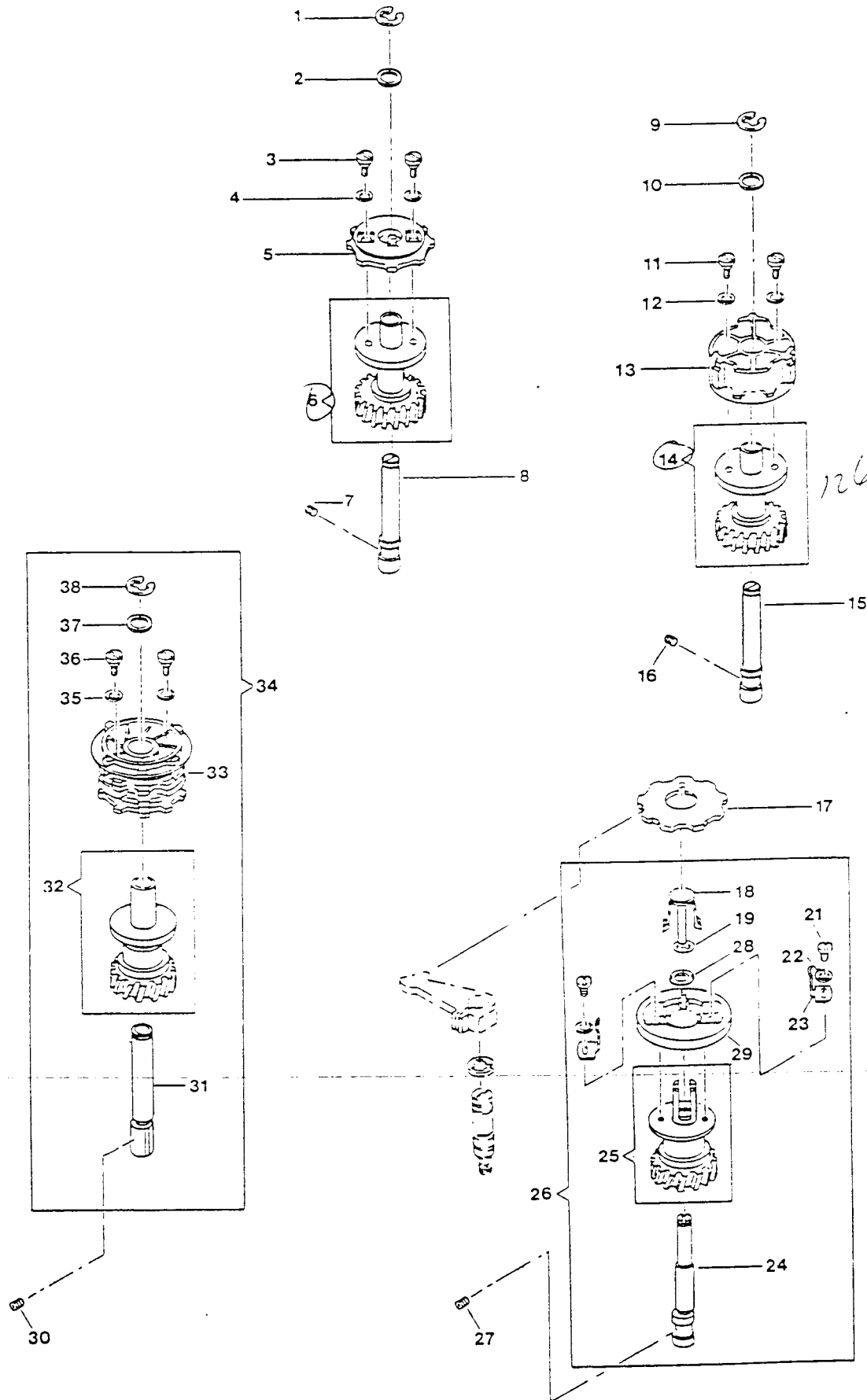
171310181

1N1N1N1N1

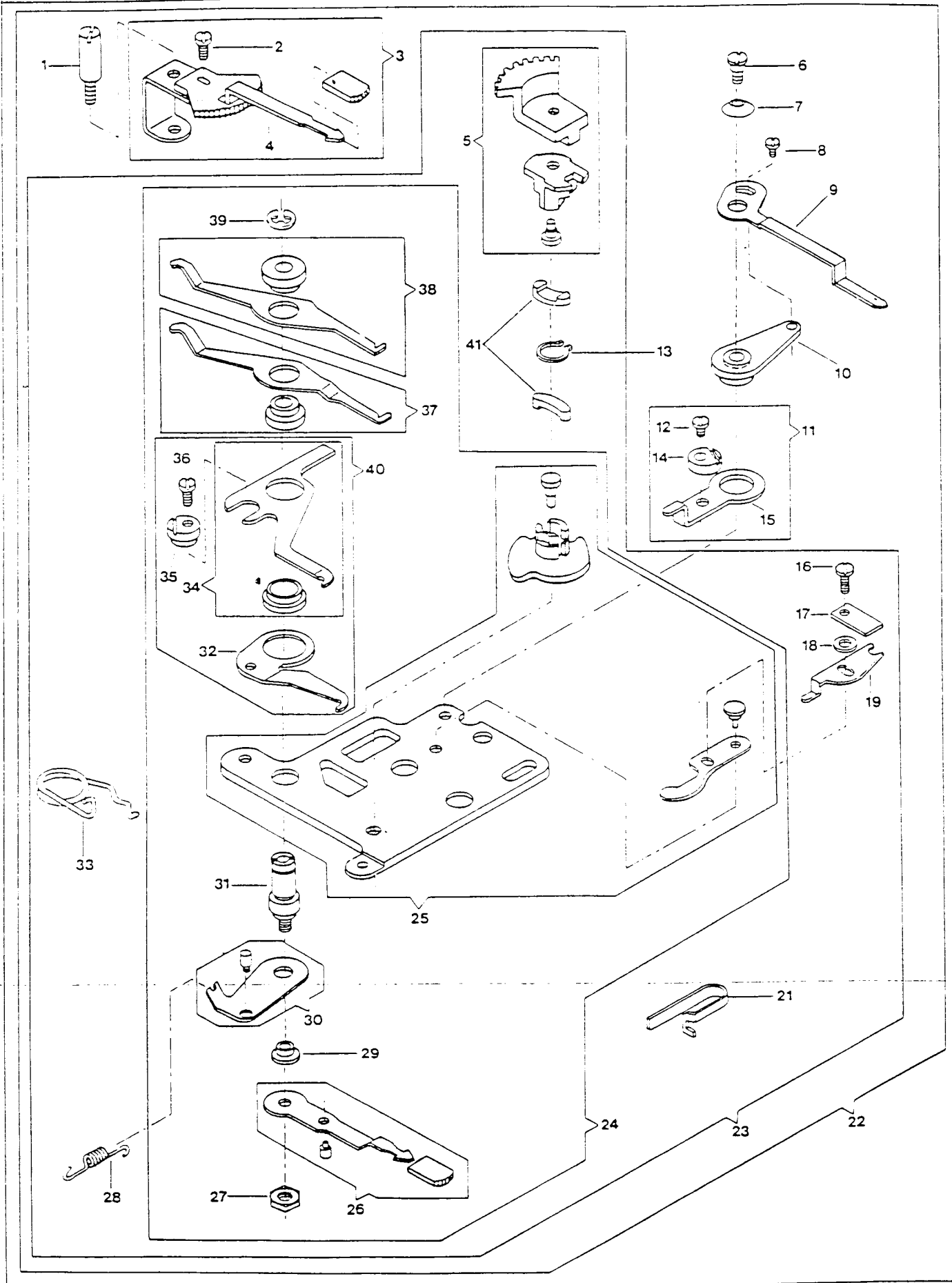
REF	PART NO.	DESCRIPTION						
1	444921	DISC DRIVING GEAR RETAINING RING					X	
2	444923-451	DISC DRIVING GEAR SHAFT WASHER					X	
3	141920-451	DISC STACK POSITIONING SCREW					X	
4	446138	DISC STACK POSITIONING SCREW WASHER					X	
5	445762	DISC STACK (PLASTIC)					X	
6	445754	DISC DRIVING GEAR W/AA					X	
7	141803-830	DISC DRIVING GEAR SHAFT SET SCREW					X	
8	444922	DISC DRIVING GEAR SHAFT					X	
9	444921	DISC DRIVING GEAR RETAINING RING					X	
10	444923-451	DISC DRIVING GEAR SHAFT WASHER					X	
	444923-452	DISC DRIVING GEAR SHAFT WASHER (FOR QUERETARO)					X	
11	139928-819	DISC STACK POSITIONING SCREW (FOR QUERETARO)					X	
	141920-451	DISC STACK POSITIONING SCREW					X	
12	445925	DISC STACK POSITIONING SCREW WASHER (FOR QUERETARO)					X	
	446138	DISC STACK POSITIONING SCREW WASHER					X	
13	444924	DISC STACK (PLASTIC) ✓					X	
14	445754	DISC DRIVING GEAR + <i>OV Cam STACK GEAR</i>					X	
	444918	DISC DRIVING GEAR (FOR QUERETARO)					X	
15	444922	DISC DRIVING GEAR SHAFT					X	
16	141803-830	DISC DRIVING GEAR SHAFT SET SCREW					X	
17	276301	DISC NO. 1 (FOR ZIGZAG STITCH)					X	
18	444906	DISC RELEASING BRACKET STUD					X	
19	603908-001	DISC DRIVING GEAR RETAINING RING					X	
21	141920-451	DISC POSITION ADJUSTING SPACER SCREW					X	
22	446138	DISC POSITION ADJUSTING SPACER SCREW WASHER					X	
23	444908	DISC RETAINING SPRING					X	
24	444899	DISC DRIVING GEAR SHAFT					X	
25	444911	DISC DRIVING GEAR					X	
26	445413	DISC DRIVING GEAR COMPLETE					X	
27	141803-830	DISC DRIVING GEAR SHAFT SET SCREW					X	
28	444903	DISC RELEASING BRACKET RETAINER					X	
29	446176	DISC POSITION ADJUSTING SPACER					X	
30	141803-830	DISC DRIVING GEAR SHAFT SET SCREW					X	
31	445358	DISC DRIVING GEAR SHAFT					X	
32	445356	DISC DRIVING GEAR					X	
33	445342	DISC STACK					X	
34	445359	DISC DRIVING GEAR COMPLETE					X	
35	446138	DISC STACK POSITIONING SCREW WASHER					X	
36	141920-451	DISC STACK POSITIONING SCREW					X	
37	444923-451	DISC DRIVING GEAR SHAFT FRICTION WASHER					X	
38	444921	DISC DRIVING GEAR RETAINING RING					X	

Needle Library of Diamond

CAM STACK



CAM CONTROLLED FEED



From the library of: Diamond Needle Corp

CAM CONTROLLED FEED

11111111
12121212
14161818
17131018
1N1N1N1N

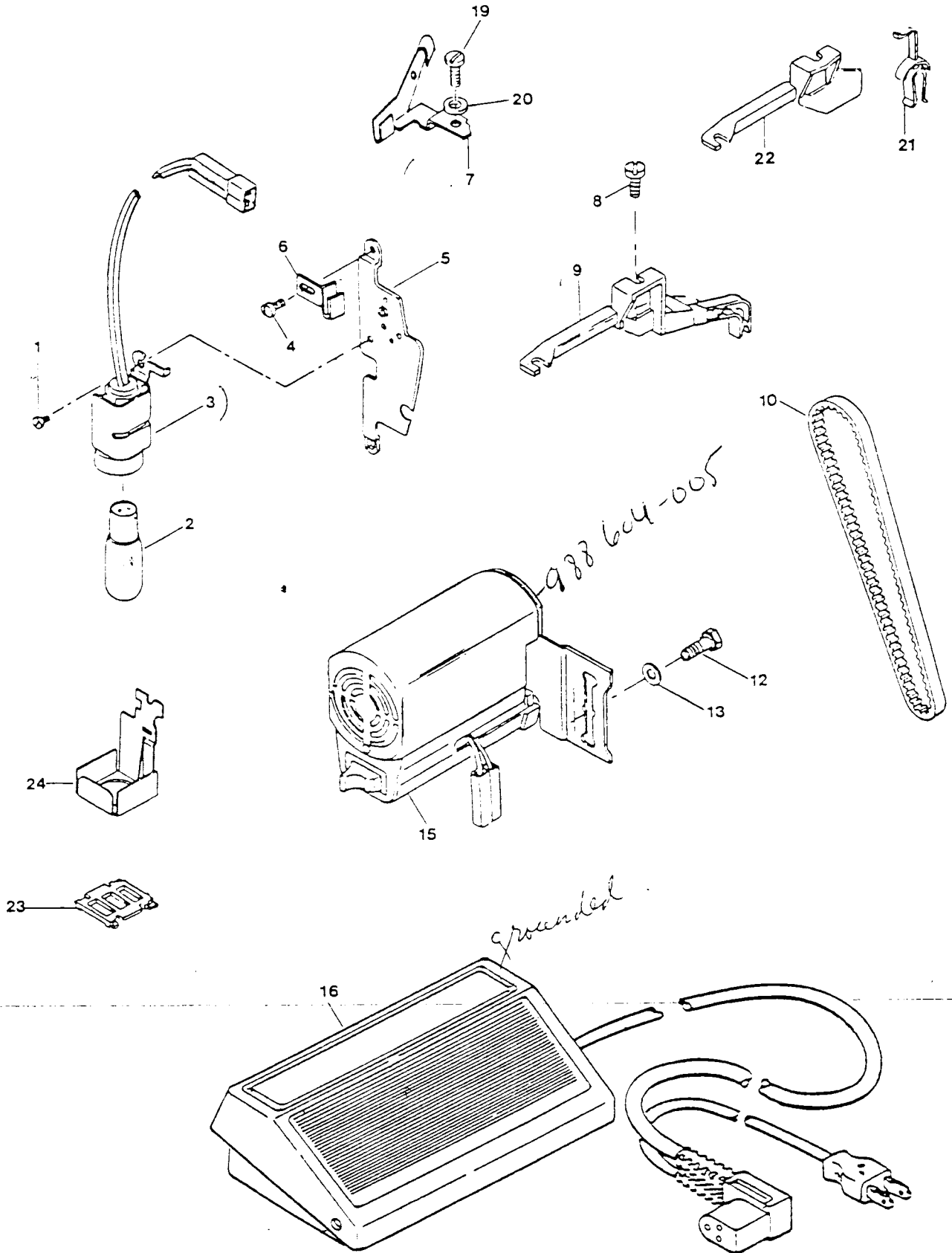
PART NO.	DESCRIPTION			
1	354869-451 PAT. SEL. ENGAGING LEVER HINGE SCREW & CAM CONT. FEED MOUNT. PLATE SCREW (BACK, LEFT)			X
2	354826-451 PATTERN SELECTOR ENGAGING LEVER GEAR SCREW			X
3	446038-451 PATTERN SELECTOR ENGAGING LEVER			X
4	445463 PATTERN SELECTOR ENGAGING LEVER GEAR (PLASTIC)			X
5	445391 PATTERN SELECTOR ENGAGING LEVER GEAR SEGMENT			X
6	354628-451 CAM CONT. FEED DRIVING ARM ECCENTRIC SCREW & MOUNTING PLATE SCREW (BACK, RIGHT)			X
7	445384 CAM CONTROLLED FEED DRIVING ARM ECCENTRIC SCREW FRICTION WASHER			X
8	141913-451 CAM CONTROLLED FEED DRIVING ARM ECCENTRIC LEVER SCREW			X
9	446034-451 CAM CONTROLLED FEED DRIVING ARM ECCENTRIC LEVER			X
10	44576 CAM CONTROLLED FEED DRIVING ARM ECCENTRIC			X
11	445138 CAM CONTROLLED FEED DRIVING ARM			X
12	141920-452 CAM CONTROLLED FEED DISC FOLLOWER (LOWER) ARM ECCENTRIC SCREW			X
13	445562 PATTERN SELECTOR ENGAGING LEVER GEAR SEGMENT RETAINING RING			X
14	444866 CAM CONTROLLED FEED DISC FOLLOWER (LOWER) ARM ECCENTRIC			X
15	44565 CAM CONTROLLED FEED DRIVING ARM			X
16	354826-451 FEED REGULATOR CONTROL ARM PRESSURE LEVER SCREW			X
17	618612-001 FEED REGULATOR CONTROL ARM PRESSURE SPRING GUIDE			X
18	445765 FEED REGULATOR CONTROL ARM PRESSURE SPRING GUIDE SPACER			X
19	444805 FEED REGULATOR CONTROL ARM PRESSURE LEVER			X
21	44858 FEED REGULATOR CONTROL ARM PRESSURE SPRING			X
22	445481-451 CAM CONTROLLED FEED MECHANISM			X
23	445480-451 CAM CONTROLLED FEED MECHANISM COMPLETE			X
24	445479-451 CAM CONTROLLED FEED MECHANISM MOUNTING PLATE COMPLETE			X
25	445537 CAM CONTROLLED FEED MECHANISM MOUNTING PLATE			X
26	445370-451 NEEDLE POSITION SELECTOR LEVER			X
27	179748-451 NEEDLE POSITION SELECTOR LEVER RETAINING NUT			X
28	445468 CAM CONTROLLED FEED CAM POSITIONING LEVER SPRING			X
29	445607 CAM CONTROLLED FEED DISC FOLLOWER (LOWER & UPPER) MOUNTING SCREW STUD NUT			X
30	445394 CAM CONTROLLED FEED CAM POSITIONING LEVER			X
31	445606 CAM CONTROLLED FEED DISC FOLLOWER (LOWER & UPPER) MOUNTING SCREW STUD			X
32	445378 CAM CONTROLLED FEED DISC FOLLOWER (UPPER) ARM			X
33	445748 CAM CONTROLLED FEED DISC FOLLOWER SPRING			X
34	445400 CAM CONTROLLED FEED DISC FOLLOWER (LOWER) ARM			X
35	445538 CAM CONTROLLED FEED DISC FOLLOWER (LOWER & UPPER) ARM ECCENTRIC			X
36	354826-451 CAM CONTROLLED FEED DISC FOLLOWER (LOWER & UPPER) ARM ECCENTRIC SCREW			X
37	445397 CAM CONTROLLED FEED DISC FOLLOWER (LOWER)			X
38	445399 CAM CONTROLLED FEED DISC FOLLOWER (UPPER)			X
39	445486 CAM CONTROLLED FEED DISC FOLLOWER (LOWER & UPPER) RETAINING RING			X
40	445401 CAM CONTROLLED FEED DISC FOLLOWER (LOWER) ARM			X
41	44563 CAM CONTROLLED FEED DISC FOLLOWER DRIVING SLIDE (LOWER & UPPER)			X

Microfilm
of the
Library
of the
U.S. Patent
& Trademark
Office

ELECTRICAL EQUIPMENT

REF.	PART NO.	DESCRIPTION	1	2	3	4	5	6	7	8	9	10	11	12	13	14	15	16	17	18	19	20	21	22	23	24
1	354826-451	LIGHT MOUNTING BRACKET SCREW	X	X	X	X	X	X	X	X	X	X	X	X	X	X	X	X	X	X	X	X	X	X	X	X
2	194120-015	BULB (220 VOLTS)(A, D, E, F, L, P, Q, R, S)	X	X	X	X	X	X	X	X	X	X	X	X	X	X	X	X	X	X	X	X	X	X	X	X
2	194120-016	BULB (120 VOLTS) (G, O)	X	X	X	X	X	X	X	X	X	X	X	X	X	X	X	X	X	X	X	X	X	X	X	X
2	194120-017	BULB (240 VOLTS)(K)	X	X	X	X	X	X	X	X	X	X	X	X	X	X	X	X	X	X	X	X	X	X	X	X
3	605488-015	LIGHT COMPLETE (120 VOLTS) (G, O) F	X	X	X	X	X	X	X	X	X	X	X	X	X	X	X	X	X	X	X	X	X	X	X	X
3	605488-016	LIGHT COMPLETE (220 VOLTS)(A, D, E, F, L, P, Q, R, S)	X	X	X	X	X	X	X	X	X	X	X	X	X	X	X	X	X	X	X	X	X	X	X	X
3	605488-017	LIGHT COMPLETE (240 VOLTS)(K)	X	X	X	X	X	X	X	X	X	X	X	X	X	X	X	X	X	X	X	X	X	X	X	X
4	354826-451	LIGHT MOUNTING PLATE SCREW	X	X	X	X	X	X	X	X	X	X	X	X	X	X	X	X	X	X	X	X	X	X	X	X
5	446001	LIGHT MOUNTING PLATE	X	X	X	X	X	X	X	X	X	X	X	X	X	X	X	X	X	X	X	X	X	X	X	X
6	446174	LIGHT LEAD RETAINING BRACKET (FRONT)	X	X	X	X	X	X	X	X	X	X	X	X	X	X	X	X	X	X	X	X	X	X	X	X
6	885883-025	LIGHT LEAD GROMMET (ALTERNATE TO NO. 446174, FOR CAMPINAS)	X	X	X	X	X	X	X	X	X	X	X	X	X	X	X	X	X	X	X	X	X	X	X	X
7	446175	LIGHT LEAD RETAINING BRACKET (CENTER)	X	X	X	X	X	X	X	X	X	X	X	X	X	X	X	X	X	X	X	X	X	X	X	X
8	354552-451	LIGHT LEAD SHIELD SCREW	X	X	X	X	X	X	X	X	X	X	X	X	X	X	X	X	X	X	X	X	X	X	X	X
9	446082	LIGHT LEAD SHIELD (PLASTIC)	X	X	X	X	X	X	X	X	X	X	X	X	X	X	X	X	X	X	X	X	X	X	X	X
10	196388-003	MOTOR BELT	X	X	X	X	X	X	X	X	X	X	X	X	X	X	X	X	X	X	X	X	X	X	X	X
12	604020-003	MOTOR MOUNTING SCREW	X	X	X	X	X	X	X	X	X	X	X	X	X	X	X	X	X	X	X	X	X	X	X	X
13	604018-002	MOTOR MOUNTING SCREW WASHER	X	X	X	X	X	X	X	X	X	X	X	X	X	X	X	X	X	X	X	X	X	X	X	X
15	988604-001	MOTOR COMPLETE (CAT. NO. WAN 7-8)(120 VOLTS)(1 SPEED)(G, O)	X	X	X	X	X	X	X	X	X	X	X	X	X	X	X	X	X	X	X	X	X	X	X	X
15	988604-002	MOTOR COMPLETE (CAT. NO. WAN 7-12)(220 VOLTS)(1 SPEED)(A, D, E, F, L, P, Q, R, S)	X	X	X	X	X	X	X	X	X	X	X	X	X	X	X	X	X	X	X	X	X	X	X	X
15	988604-002	MOTOR COMPLETE (CAT. NO. WAN 7-11)(220 VOLTS)(1 SPEED)(A, D, E, F, L, P, Q, R, S)	X	X	X	X	X	X	X	X	X	X	X	X	X	X	X	X	X	X	X	X	X	X	X	X
15	988604-003	MOTOR COMPLETE (CAT. NO. WAN 7-12)(240 VOLTS)(1 SPEED)(K)	X	X	X	X	X	X	X	X	X	X	X	X	X	X	X	X	X	X	X	X	X	X	X	X
15	988604-101	MOTOR COMPLETE (CAT. NO. WAN 8-8)(120 VOLTS)(2 SPEED)(G, O)	X	X	X	X	X	X	X	X	X	X	X	X	X	X	X	X	X	X	X	X	X	X	X	X
15	988604-102	MOTOR COMPLETE (CAT. NO. WAN 8-11)(220 VOLTS)(2 SPEED)(A, D, E, F, L, P, Q, R, S)	X	X	X	X	X	X	X	X	X	X	X	X	X	X	X	X	X	X	X	X	X	X	X	X
15	988604-103	MOTOR COMPLETE (CAT. NO. WAWAN 8-12)(240 VOLTS)(2 SPEED)(K)	X	X	X	X	X	X	X	X	X	X	X	X	X	X	X	X	X	X	X	X	X	X	X	X
16	988274-090	CONTROLLER COMPLETE (CAT. NO. CR-307) <i>see below for 12L3</i>	X	X	X	X	X	X	X	X	X	X	X	X	X	X	X	X	X	X	X	X	X	X	X	X
16	988274-051	CONTROLLER COMPLETE (CAT. NO. CR-307) <i>220V</i>	X	X	X	X	X	X	X	X	X	X	X	X	X	X	X	X	X	X	X	X	X	X	X	X
16	988274-057	CONTROLLER COMPLETE (CAT. NO. CR-307)	X	X	X	X	X	X	X	X	X	X	X	X	X	X	X	X	X	X	X	X	X	X	X	X
19	354552-451	LIGHT LEAD RETAINING BRACKET (CENTER) SCREW (FOR 1276R & 1280 ONLY)	X	X	X	X	X	X	X	X	X	X	X	X	X	X	X	X	X	X	X	X	X	X	X	X
19	354766-451	LIGHT LEAD RET. BRACKET (CENTER) SCREW ALT. TO 354552-451 FOR QLE RETARD ON 1280/1276R M/C'S	X	X	X	X	X	X	X	X	X	X	X	X	X	X	X	X	X	X	X	X	X	X	X	X
20	445765	LIGHT LEAD RETAINING BRACKET SCREW WASHER	X	X	X	X	X	X	X	X	X	X	X	X	X	X	X	X	X	X	X	X	X	X	X	X
21	446199	LIGHT LEAD RET. (RIGHT)(CORD RET.)(ALTERNATE, W/NO. 445605, TO NO. 446082)	X	X	X	X	X	X	X	X	X	X	X	X	X	X	X	X	X	X	X	X	X	X	X	X
22	445605	LIGHT LEAD SHIELD (ALTERNATE, W/NO. 446199, TO NO. 446082)	X	X	X	X	X	X	X	X	X	X	X	X	X	X	X	X	X	X	X	X	X	X	X	X
23	605087-001	HEAT SINK	X	X	X	X	X	X	X	X	X	X	X	X	X	X	X	X	X	X	X	X	X	X	X	X
24	445832	FACE PLATE GRILL	X	X	X	X	X	X	X	X	X	X	X	X	X	X	X	X	X	X	X	X	X	X	X	X
16	988692-001	<i>grounded Controller</i>	X	X	X	X	X	X	X	X	X	X	X	X	X	X	X	X	X	X	X	X	X	X	X	X
		<i>ON-OFF SW. IS PART OF MOTOR & CAN NOT BE ORDERED SEPARATELY - ORDER MOTOR COMPLETE.</i>																								
		<i>Per DEdumaker</i>																								

ELECTRICAL EQUIPMENT



From the library of: Diamond Needle Corp

